

# Geberit Bath Waste & Overflow Systems



# Geberit TurnControl, PushControl and Cascading Tub Filler Bath Waste and Overflow Systems

## Replacement Parts and Kits\*\*

Item No.	Description	Model No.	List Price
1	TurnControl Overflow/Drain Service Kit	242.767.00.1	\$27.00
2	Brass Tee Assembly	241.632.00.1	53.00
3	Chicago Code Brass Tee Assembly	241.766.00.1	53.00
4	PushControl Overflow/Drain Service Kit	242.768.00.1	17.00
5	PushControl Trim Service Kits		
	Metal Polished Chrome	241.726.21.1	110.00
	Hard Coat Oil Rubbed Bronze*	241.726.HM.1	175.00
	ForeverShine™ PVD Polished Nickel*	241.726.IB.1	160.00
	ForeverShine™ PVD Brushed Nickel*	241.726.ID.1	160.00
	Plastic Polished Chrome	241.725.21.1	70.00
	Bone*	241.725.AA.1	70.00
	Bright Brass*	241.725.CL.1	150.00
	White*	241.725.DY.1	70.00
	Biscuit*	241.725.FF.1	70.00
6	Cascading Tub Filler Service Kit	242.769.00.1	17.00
7	Faucet Housing	241.635.00.1	83.00
8	Check Valve Kit	240.736.00.1	8.00
9	Cascading Tub Filler Trim Service Kits		
	Metal Polished Chrome	242.776.00.1	41.00
	ForeverShine™ PVD Brass	242.776.GG.1	45.00
	ForeverShine™ PVD Brushed Nickel	242.776.ID.1	65.00
9.1	Stream Former Kit	240.735.00.1	20.00
10	Vacuum Breaker WATTS Model No. 288A	—	—
11	SEE TURNCONTROL TRADITIONAL METAL HANDLES TABLE ON PAGE 38		
12	SEE TURNCONTROL EURO METAL HANDLES TABLE ON PAGE 38		
13	SEE TURNCONTROL TRADITIONAL PLASTIC HANDLES TABLE ON PAGE 38		
14	SEE TURNCONTROL EURO PLASTIC HANDLES TABLE ON PAGE 38		
15	SEE PLUNGER TABLE ON PAGE 38		
16	TurnControl Handle/Plunger Service Kit	242.777.00.1	\$18.00

## TurnControl Metal Handles

Finish	Item No. 11 Traditional Model No.		Item No. 12 Euro Model No.		List Price
	Traditional Model No.	Euro Model No.	Euro Model No.	Traditional Model No.	
Polished Chrome	240.702.21.1	241.779.21.1	241.779.21.1	240.702.21.1	\$60.00
Hard Coat Oil Rubbed Bronze	240.702.HM.1	241.779.HM.1	241.779.HM.1	240.702.HM.1	100.00
ForeverShine™ PVD Polished Nickel	240.702.IB.1	241.779.IB.1	241.779.IB.1	240.702.IB.1	85.00
ForeverShine™ PVD Brushed Nickel	240.702.ID.1	241.779.ID.1	241.779.ID.1	240.702.ID.1	85.00
Gold	240.702.45.1			240.702.45.1	115.00
Unfinished Brass	240.702.50.1			240.702.50.1	75.00
Antique Brass	240.702.97.1			240.702.97.1	85.00
Old Silver Pewter	240.702.98.1			240.702.98.1	85.00
Satin Brass	240.702.CH.1			240.702.CH.1	85.00
Bright Brass	240.702.CL.1			240.702.CL.1	85.00
Black	240.702.EK.1			240.702.EK.1	100.00
Satin Chrome	240.702.FT.1			240.702.FT.1	85.00
ForeverShine™ PVD Brass	240.702.GG.1			240.702.GG.1	85.00
ForeverShine™ PVD Pearl Nickel	240.702.HD.1			240.702.HD.1	100.00
ForeverShine™ PVD Satin Sheen	240.702.HI.1			240.702.HI.1	85.00
ForeverShine™ PVD Platinum	240.702.HJ.1			240.702.HJ.1	100.00

## TurnControl Plastic Handles

Finish	Item No. 13 Traditional Model No.		Item No. 14 Euro Model No.		List Price
	Traditional Model No.	Euro Model No.	Euro Model No.	Traditional Model No.	
Alpine White	241.628.11.1			241.628.11.1	\$40.00
Gold	241.628.45.1			241.628.45.1	80.00
Bright Brass	241.628.CL.1			241.628.CL.1	80.00
Polished Chrome	241.628.21.1		241.776.21.1	241.628.21.1	40.00
Bone	241.628.AA.1			241.628.AA.1	40.00
White	241.628.DY.1			241.628.DY.1	40.00
Biscuit	241.628.FF.1			241.628.FF.1	40.00
ForeverShine™ PVD Brass	241.628.GG.1			241.628.GG.1	80.00

## Plunger Assemblies

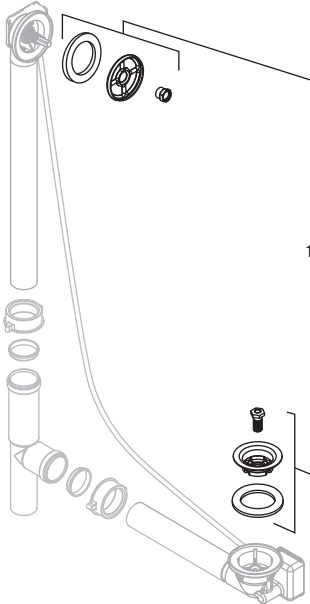
Item No.	Description	Model No.	List Price	
15	Metal	Polished Chrome	241.728.21.1	\$30.00
		Gold	241.728.45.1	50.00
		Antique Brass	241.728.97.1	36.00
		Old Silver Pewter	241.728.98.1	36.00
		Satin Brass	241.728.CH.1	36.00
		Black	241.728.EK.1	42.00
		Satin Chrome	241.728.FT.1	36.00
		ForeverShine™ PVD Brass	241.728.GG.1	36.00
		ForeverShine™ PVD Pearl Nickel	241.728.HD.1	42.00
		ForeverShine™ PVD Satin Sheen	241.728.HI.1	36.00
		ForeverShine™ PVD Platinum	241.728.HJ.1	42.00
		Hard Coat Oil Rubbed Bronze	241.728.HM.1	50.00
		ForeverShine™ PVD Polished Nickel	241.728.IB.1	36.00
		ForeverShine™ PVD Brushed Nickel	241.728.ID.1	36.00
15	Plastic	Alpine White	241.727.11.1	25.00
		Polished Chrome	241.727.21.1	30.00
		Gold	241.727.45.1	50.00
		Bone	241.727.AA.1	25.00
		White	241.727.DY.1	25.00
		Biscuit	241.727.FF.1	25.00
		ForeverShine™ PVD Brass	241.727.GG.1	36.00

\* While supplies last  
 \*\* Changes effective July 1, 2012

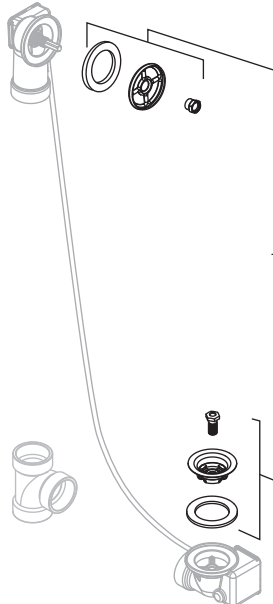
Note: ForeverShine™ finishes ensure the quality and look of your Geberit BWO will last a lifetime. Geberit offers a limited lifetime warranty on ForeverShine™ products installed in residential applications.

# Geberit TurnControl, PushControl and Cascading Tub Filler Bath Waste and Overflow Systems

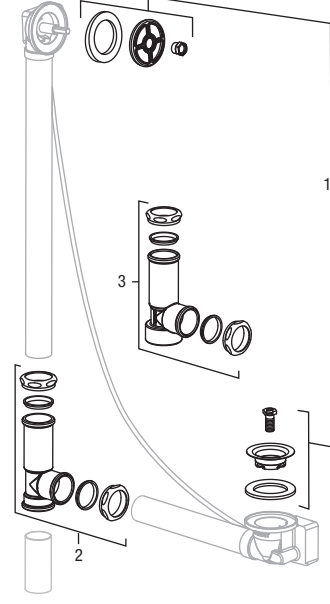
Tubular Plastic



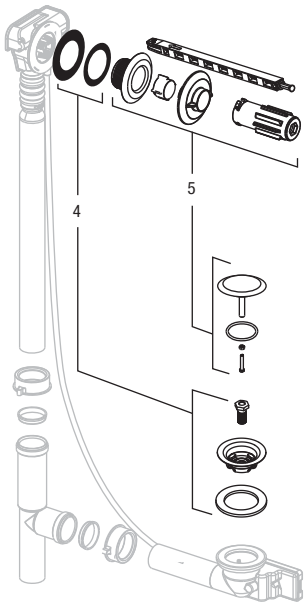
ABS/PVC



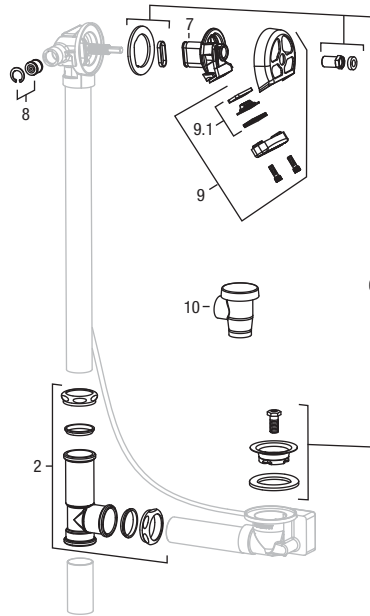
Tubular Brass



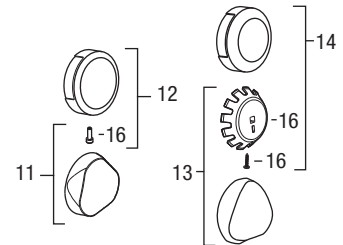
PushControl



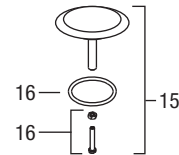
Cascading Tub Filler



TurnControl Handle Parts



Plungers Parts



16 Replacement Parts Kit

