



VITREOUS CHINA

TOILET
SE-21-114

LAVATORIES

TOILETS

BIDETS / URINALS

CAST IRON

MAXWELL® SE Elongated Toilet

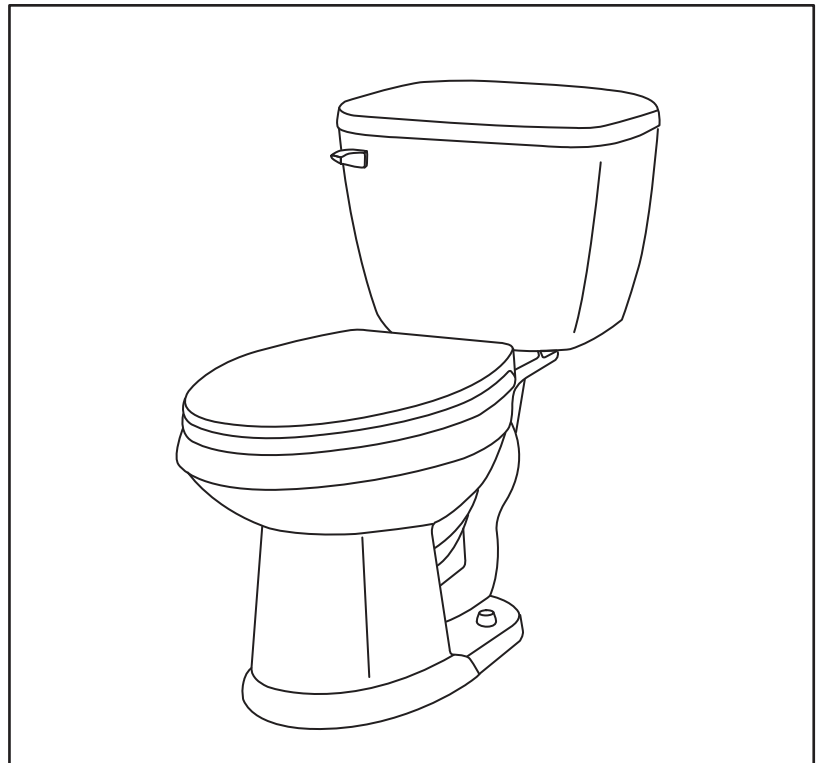
14" Rough-in

Features:

- 1.6 gpf/6 Lpf two-piece toilet
- Elongated bowl
- Dual-fed siphon jet
- 2" flush valve
- 2" glazed trapway
- Color matched front tank lever
- Available in White
- 2 bolt caps

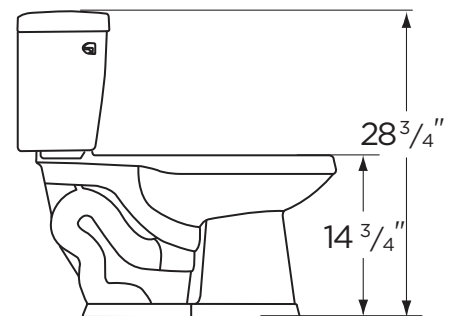
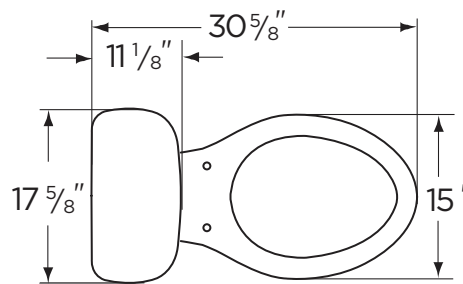
Dimensions:

- Height28³/₄"
- Width17⁵/₈"
- Depth30⁵/₈"
- Rough-in14"
- Water Surface from Rim5"
- Trapway1³/₄"
- Water Surface11" x 8"
- Water Seal2¹/₄"
- Shipping Weight81 lbs



Specifications: Bowl—#21-162 Elongated Bowl
Seat not included

Tank—#28-174



THIS FIXTURE QUALIFIES ACCORDING TO ASME TEST PROCEDURES AS A LOW CONSUMPTION WATER CLOSET WITH AN AVERAGE CONSUMPTION OF 1.6 gpf (6Lpf) OR LESS.



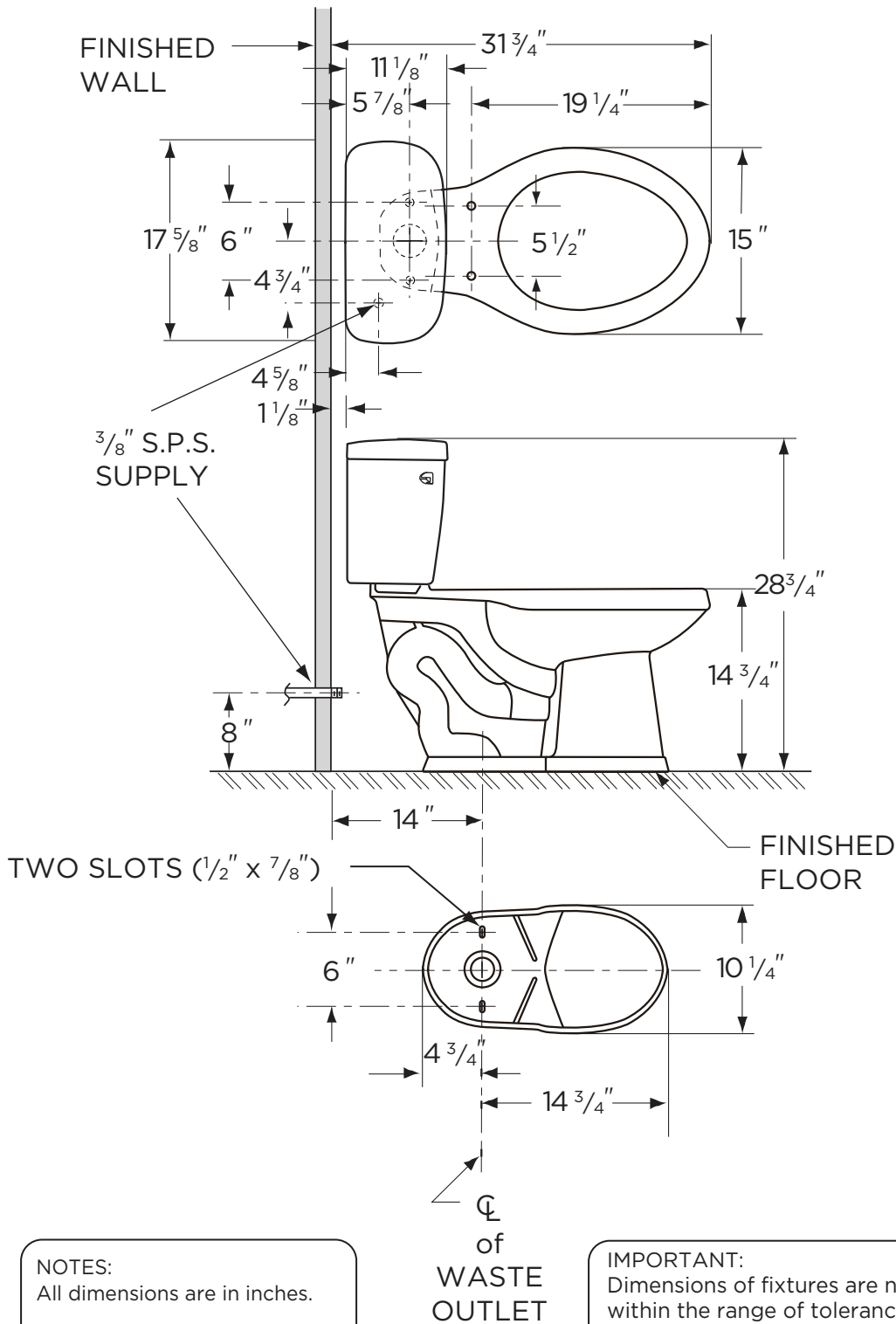
www.gerberonline.com

Job Name	
Date	
Model Specified	
Quantity	
Customer	
Contractor	
Architect/engineer	



1.6 gpf (6 Lpf) MAXWELL® SE TOILET

SE-21-114
Elongated, 14" Rough-in
(Bowl 21-162 with Tank 28-174)



NOTES:
All dimensions are in inches.

Illustrations may not be drawn to scale.

IMPORTANT:
Dimensions of fixtures are nominal and may vary within the range of tolerances established by ASME Standard A 112.19.2.

THIS FIXTURE QUALIFIES ACCORDING TO ASME TEST PROCEDURES AS A LOW CONSUMPTION WATER CLOSET WITH AN AVERAGE CONSUMPTION OF 1.6 gpf (6Lpf) OR LESS.