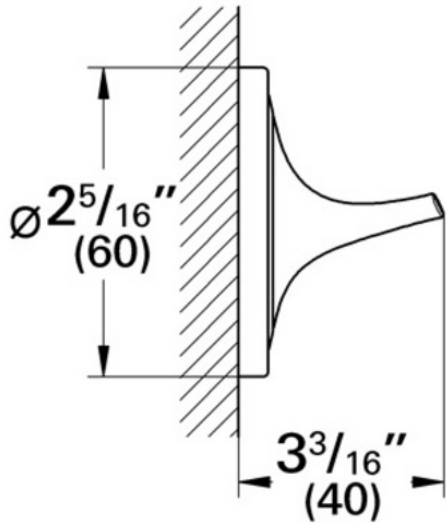
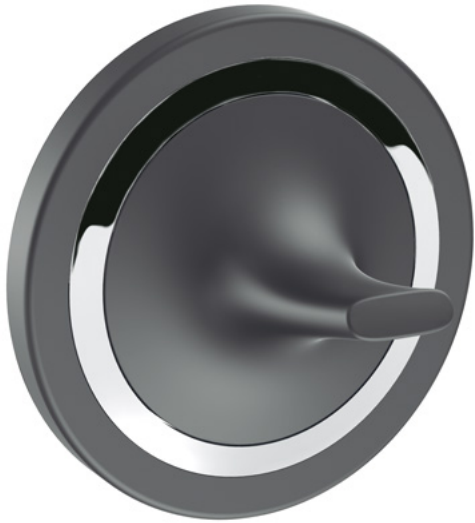


40 378 Robe hook



Description

-AVAILABLE ONLY THROUGH AUTHORIZED GROHE ONDUS SHOWROOMS-

Flow Rate

N/A

Code Compliance

ASME/ANSI A112.18.1M

Finish Options

- 40 378 OOO Starlight® Chrome
- 40 378 KS0 Velvet Black
- 40 378 LS0 Moon White
- 40 378 BS0 Titanium