



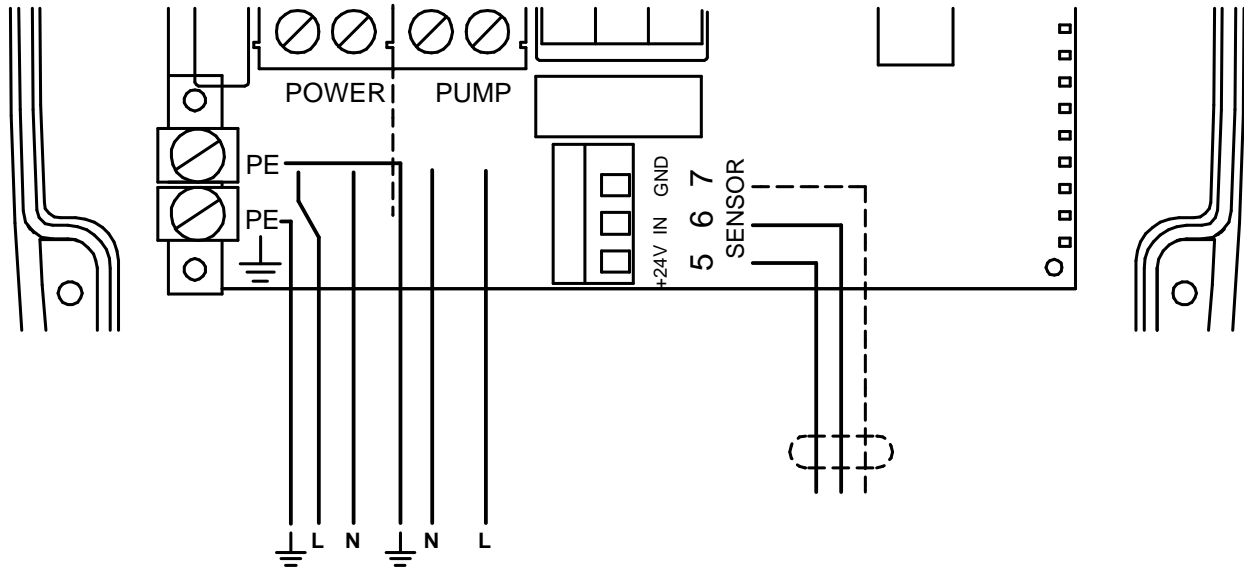
Company name: -  
Created by: -  
Phone: -  
Fax: -  
Date: -

Position	Count	Description	Unit price
	1	<p><b>CU 301</b> Product No.: 91121987 The CU 301 control unit has been developed for the SQE submersible pumps.</p> <p><b>The CU 301 enables:</b> -constant-pressure control on the basis of one sensor signal, -setting of system pressure and -monitoring of operation and alarm indication.</p> <p>The CU 301 communicates with the pump via the pump cable which means that there is no need for extra cabling between the CU 301 and the pump.</p> <p>Electrical data: Rated voltage: 1 x 100-240 V</p>	On request



Position	Count	Description	Unit price
	1	<p><b>CU 301</b></p> <div data-bbox="354 367 730 793" data-label="Image"> </div> <p data-bbox="738 766 1234 793">Product photo could vary from the actual product</p> <p data-bbox="354 823 1185 877">           Product No.: 91121987            The CU 301 control unit has been developed for the SQE submersible pumps.         </p> <p data-bbox="354 907 998 1024"> <b>The CU 301 enables:</b>            -constant-pressure control on the basis of one sensor signal,            -setting of system pressure and            -monitoring of operation and alarm indication.         </p> <p data-bbox="354 1054 1282 1108">           The CU 301 communicates with the pump via the pump cable which means that there is no need for extra cabling between the CU 301 and the pump.         </p> <p data-bbox="354 1222 860 1281"> <b>Electrical data:</b>            Rated voltage: 1 x 100-240 V         </p>	On request

91121987 CU 301 60 Hz



All units are [mm] unless otherwise presented.