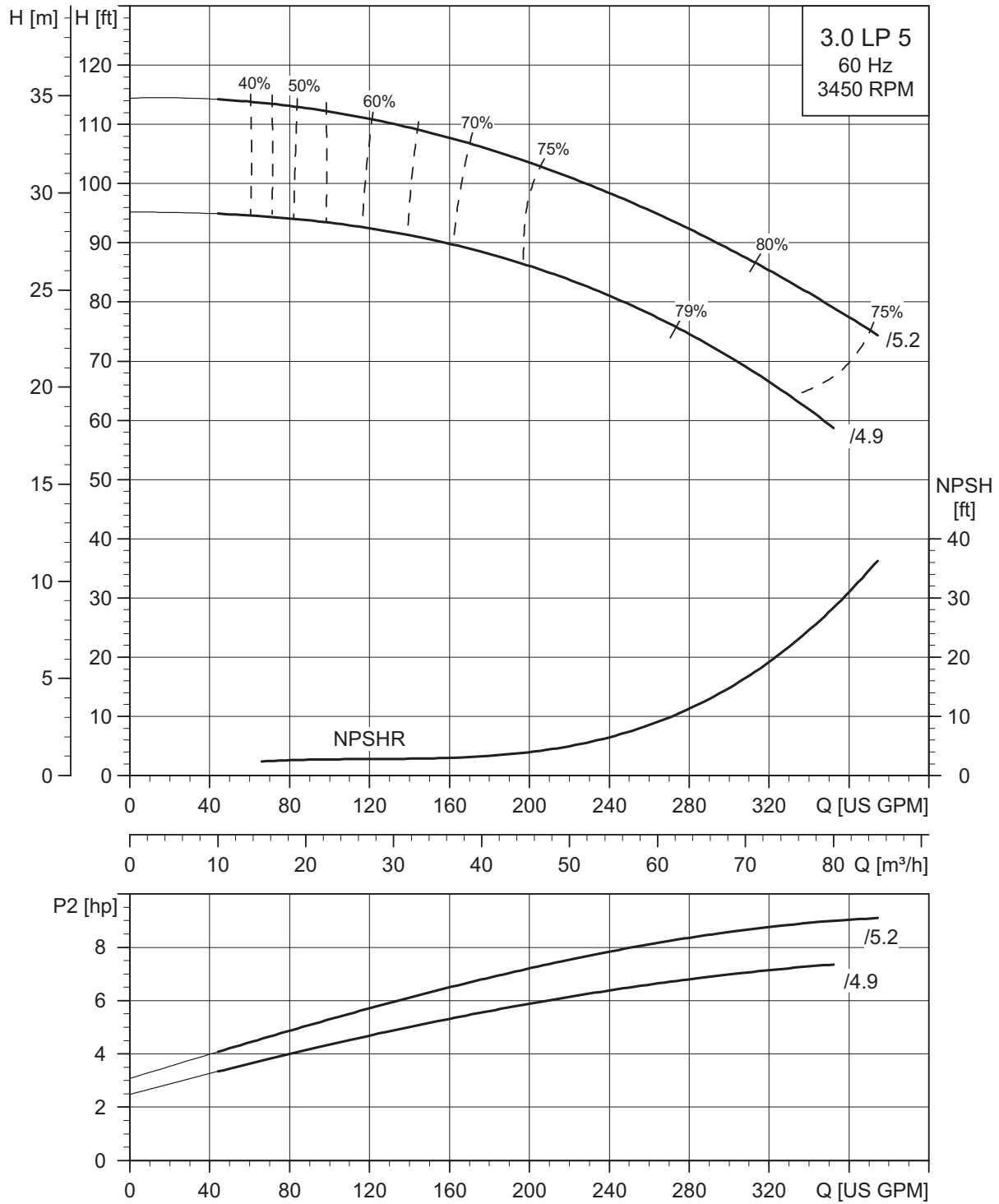
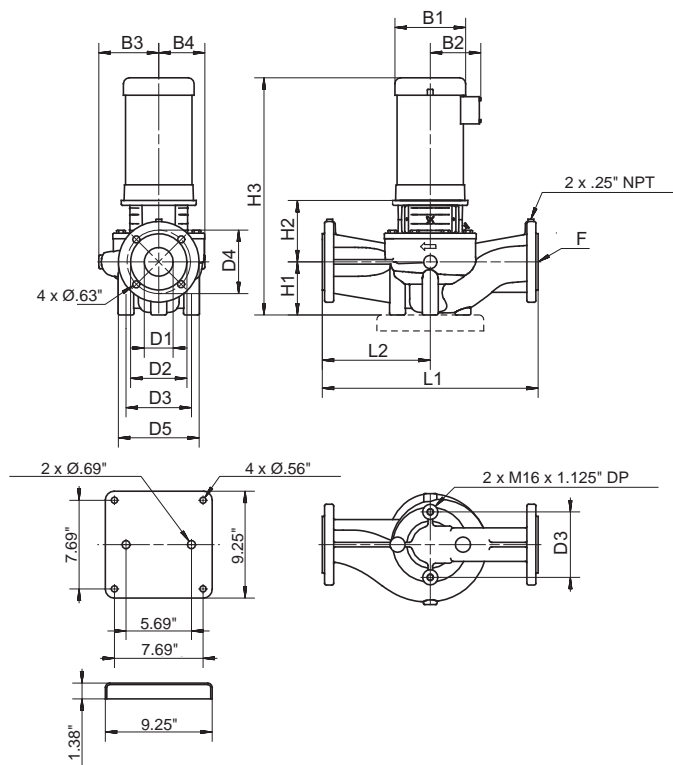


3.0 LP 5/XX



TM02 4973 0211



TM02 4964 0211

Electrical data, weights and dimensions

Pump type	Hp	Mtr S.F.	Ph	NEMA Frame size	Volts	Dimensions [inches (mm)]													Ship. wt. [lbs]
						D1	D3	D4	D5	B1	B2	B3	B4	H1	H2	H3	L1	L2	
3.0 LP 5/4.9	7.5	1.15	1	213TC	208	3.00 (76)	5.69 (145)	6.00 (152)	7.50 (191)	10.23 (260)	7.62 (194)	6.25 (159)	4.88 (124)	5.13 (130)	7.94 (202)	28.35 (720)	21.00 (533)	10.50 (267)	229
			3	215TC	208-230/4 60, 575	3.00 (76)	5.69 (145)	6.00 (152)	7.50 (191)	10.23 (260)	8.06 (205)	6.25 (159)	4.88 (124)	5.13 (130)	7.94 (202)	28.35 (720)	21.00 (533)	10.50 (267)	213
3.0 LP 5/5.2	10	1.15	1	215TC	230	3.00 (76)	5.69 (145)	6.00 (152)	7.50 (191)	10.23 (260)	10.3 (262)	6.25 (159)	4.88 (124)	5.13 (130)	7.94 (202)	28.89 (734)	21.00 (533)	10.50 (267)	260
			3	215TC	208-230/4 60, 575	3.00 (76)	5.69 (145)	6.00 (152)	7.50 (191)	10.23 (260)	8.06 (205)	6.25 (159)	4.88 (124)	5.13 (130)	7.94 (202)	28.35 (720)	21.00 (533)	10.50 (267)	270

Technical data

Nominal flow range	45 - 370 U.S. gpm
Min. flow rate	25 U.S. gpm
Head range	59 - 114 ft
Motors	TEFC (standard); ODP (optional)
Temp. range [°F (°C)]	+5° to +250° (-15° to +121°)
Max. working pressure	175 psi
Flanges:	3" ANSI 125 lb. F.F.

*575V available on request.