
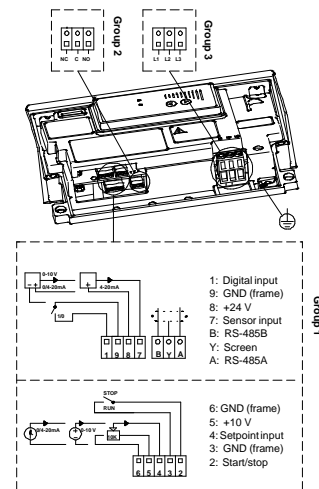
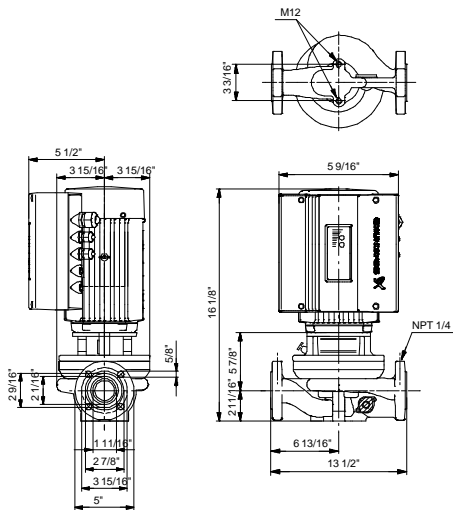
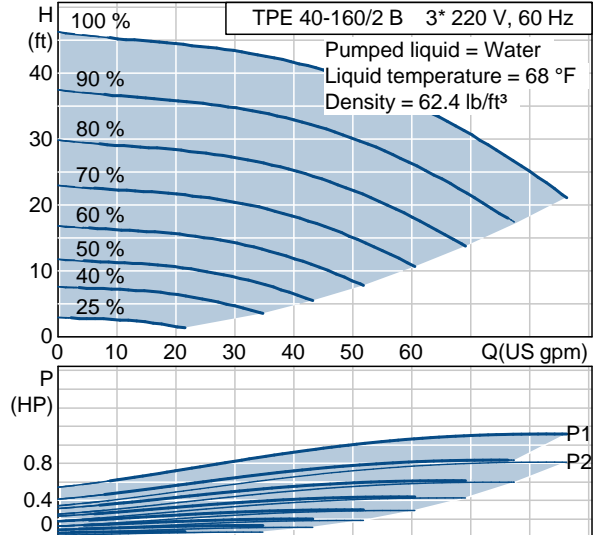


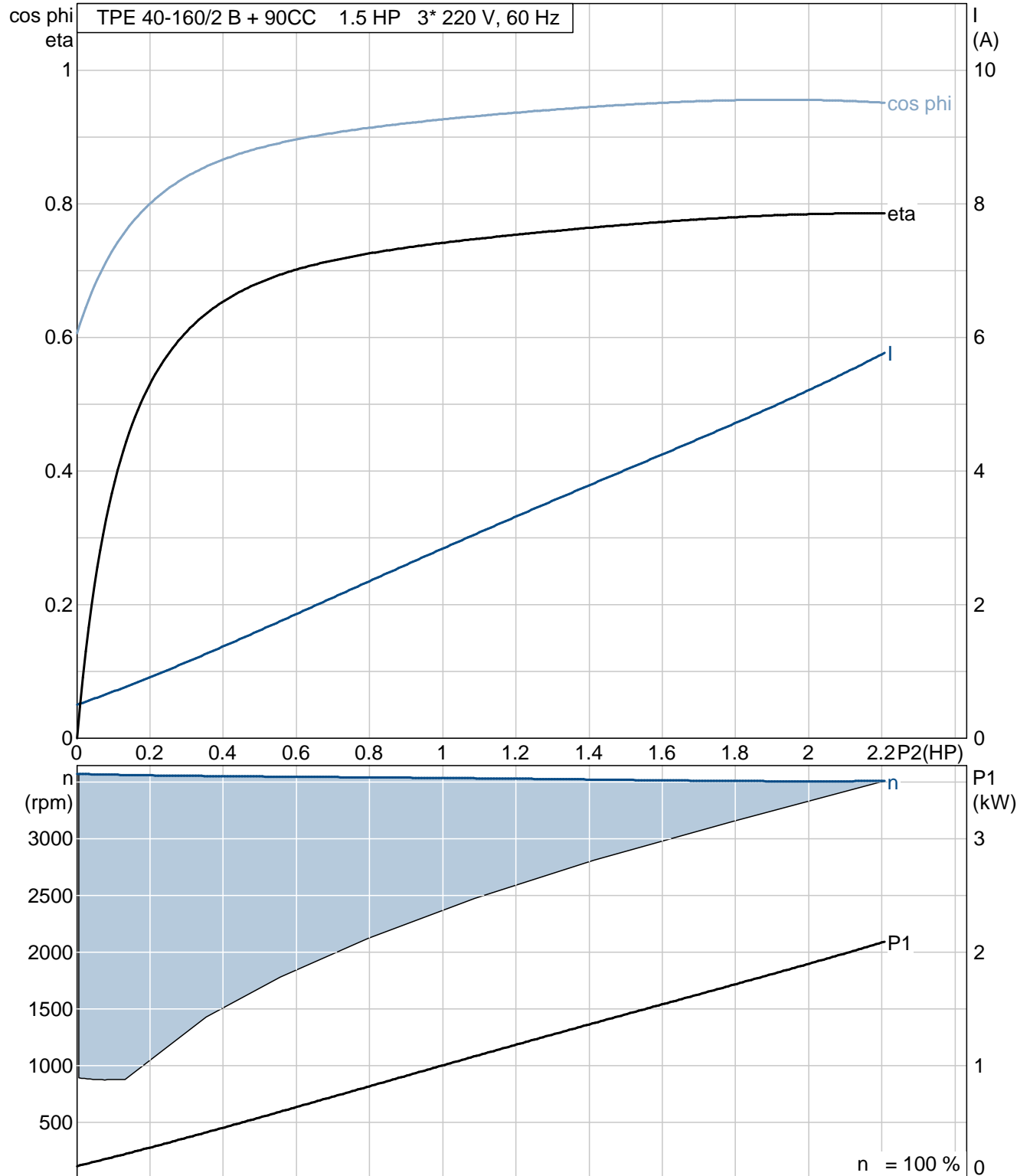
Position	Count	Description	Unit price
	-1	<p data-bbox="342 338 683 369">TPE 40-160/2 B U-G-Z-BUBE</p> <div data-bbox="354 369 732 705" style="border: 1px solid black; text-align: center;">  </div> <p data-bbox="737 674 1235 705">Product photo could vary from the actual product</p> <p data-bbox="354 737 829 821">Product No.: 91136595 Single-stage, centrifugal, in-line, single-head pump.</p> <p data-bbox="354 852 878 936">The in-line design with opposite suction and discharge ports enables mounting in pipework or on a concrete foundation.</p> <p data-bbox="354 968 756 1020">The shaft seal is a corrosion resistant maintenance-free mechanical seal.</p> <p data-bbox="354 1052 878 1220">The pump is fitted with a three-phase MLE motor with frequency converter and PI-controller integrated in the motor terminal box. No additional motor protection is required as both motor and electronics are protected by integrated overload and temperature protection.</p> <p data-bbox="354 1251 854 1335">External sensor can be connected if controlled pump operation based on for example flow, differential pressure or temperature is required.</p> <p data-bbox="354 1367 886 1482">A control panel enables setting of required setpoint as well as setting of pump to MIN or MAX operation or to STOP. The control panel has indicator lights for "Operation" and "Fault".</p> <p data-bbox="354 1514 911 1650">Communication with the pump is possible by means of Grundfos R100 Remote Control enabling further settings as well as reading out of a number of parameters such as "Actual value", "Speed", "Power input" and total "Power consumption".</p> <p data-bbox="354 1682 911 1881">The terminal box holds terminals for the connection of:</p> <ul style="list-style-type: none"> - Pump start/stop (potential-free contact), - external remote setpoint setting via analog signal, 0 - 5 V, 0 - 10 V, 0(4) - 20 mA, - 5 V voltage supply for setpoint potentiometer, I_{max} = 5 mA, 	On request

Position	Count	Description	Unit price
		<ul style="list-style-type: none"> - sensor, 0 - 5 V, 0 - 10 V, 0(4) - 20 mA, - 24 V voltage supply for sensor, I_{max} = 40 mA, - input for forced control to MIN or MAX (potential-free contact), - potential-free fault signal relay with changeover contact, - RS485 GENIbus. <p>Liquid:</p> <p>Liquid temperature range: 5 .. 284 °F</p> <p>Liquid temp: 68 °F</p> <p>Technical:</p> <p>Actual calculated flow: 56.4 US gpm</p> <p>Resulting head of the pump: 36.9 ft</p> <p>Shaft seal: BUBE</p> <p>Maximum operating pressure: 145 psi</p> <p>Materials:</p> <p>Pump housing: Bronze DIN W.-Nr. 2.1050 ASTM B505-C90700</p> <p>Impeller: Stainless steel DIN W.-Nr. 1.4301 AISI 304</p> <p>Installation:</p> <p>Maximum ambient temperature: 104 °F</p> <p>Maximum operating pressure: 145 psi</p> <p>Flange standard: US Bronze</p> <p>Pipe connection: 1 1/2"</p> <p>Pressure stage: 125 psi</p> <p>Flange size for motor: 56C</p> <p>Electrical data:</p> <p>Motor type: 90CC</p> <p>Number of poles: 2</p> <p>Rated power - P2: 1.5 HP</p> <p>Main frequency: 60 Hz</p> <p>Rated voltage: 3 x 208-230 V</p> <p>Rated current: 4.35 A</p> <p>Cos phi - power factor: 0.94</p> <p>Rated speed: 3480 rpm</p> <p>Enclosure class (IEC 34-5): 55</p> <p>Insulation class (IEC 85): F</p> <p>Others:</p> <p>Gross weight: 91.1 lb</p>	

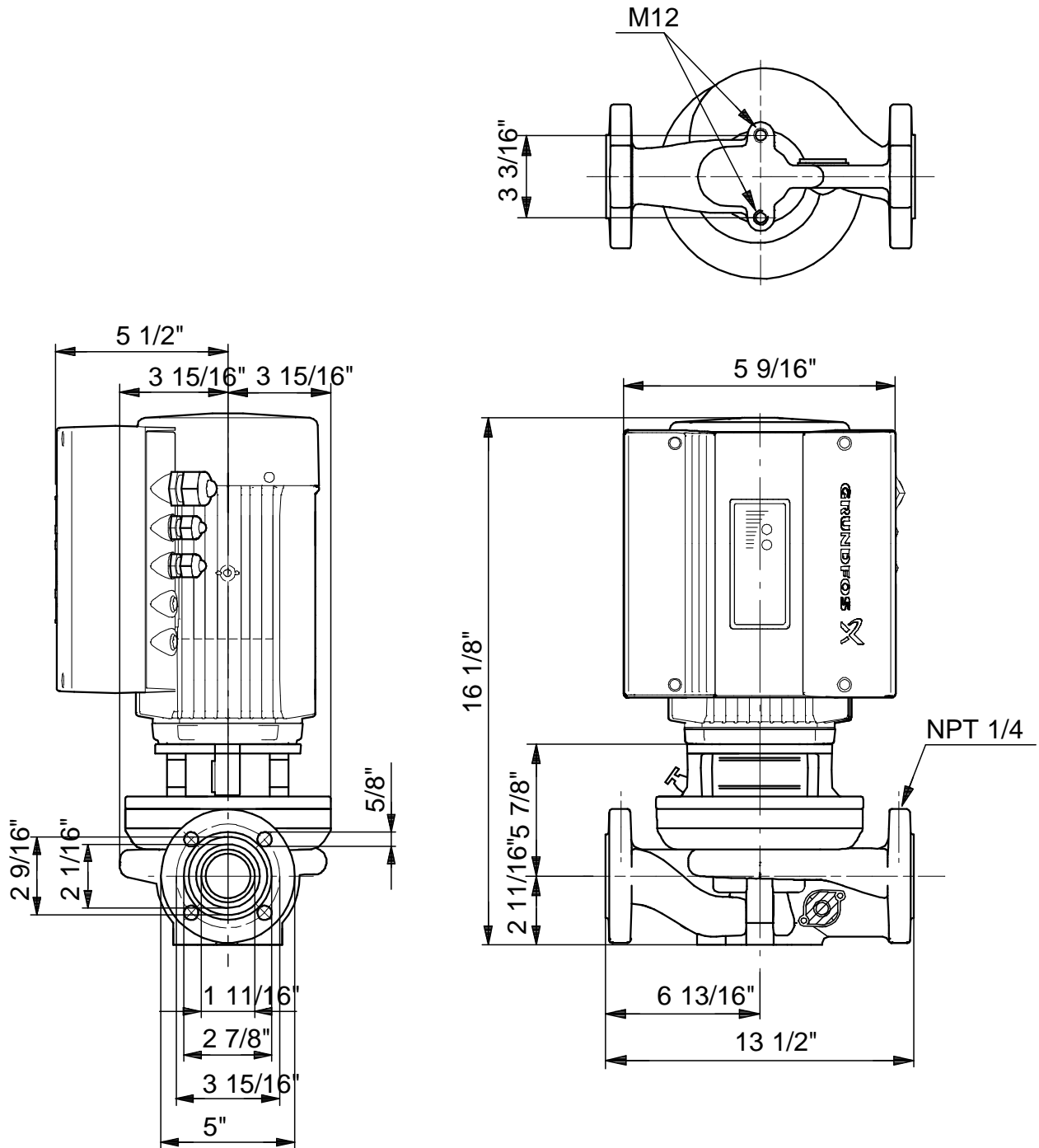
Description	Value
Product name:	TPE 40-160/2 B U-G-Z-BUBE
Product Number:	91136595
EAN number:	5700838068542
Technical:	
Actual calculated flow:	56.4 US gpm
Resulting head of the pump:	36.9 ft
Head max:	78.7 ft
Shaft seal:	BUBE
Maximum operating pressure:	145 psi
Pump Number:	96405260
Pump version:	U
Materials:	
Pump housing:	Bronze DIN W.-Nr. 2.1050 ASTM B505-C90700
Impeller:	Stainless steel DIN W.-Nr. 1.4301 AISI 304
Material code:	Z
Installation:	
Maximum ambient temperature:	104 °F
Maximum operating pressure:	145 psi
Flange standard:	US Bronze
Connect code:	G
Pipe connection:	1 1/2"
Pressure stage:	125 psi
Flange size for motor:	56C
Liquid:	
Liquid temperature range:	5 .. 284 °F
Liquid temp:	68 °F
Electrical data:	
Motor type:	90CC
Number of poles:	2
Rated power - P2:	1.5 HP
Main frequency:	60 Hz
Rated voltage:	3 x 208-230 V
Rated current:	4.35 A
Cos phi - power factor:	0.94
Rated speed:	3480 rpm
Enclosure class (IEC 34-5):	55
Insulation class (IEC 85):	F
Motor protection:	NONE
Motor Number:	85900820
Others:	
Gross weight:	91.1 lb
Config. file no:	97845337



91136595 TPE 40-160/2 B 60 Hz

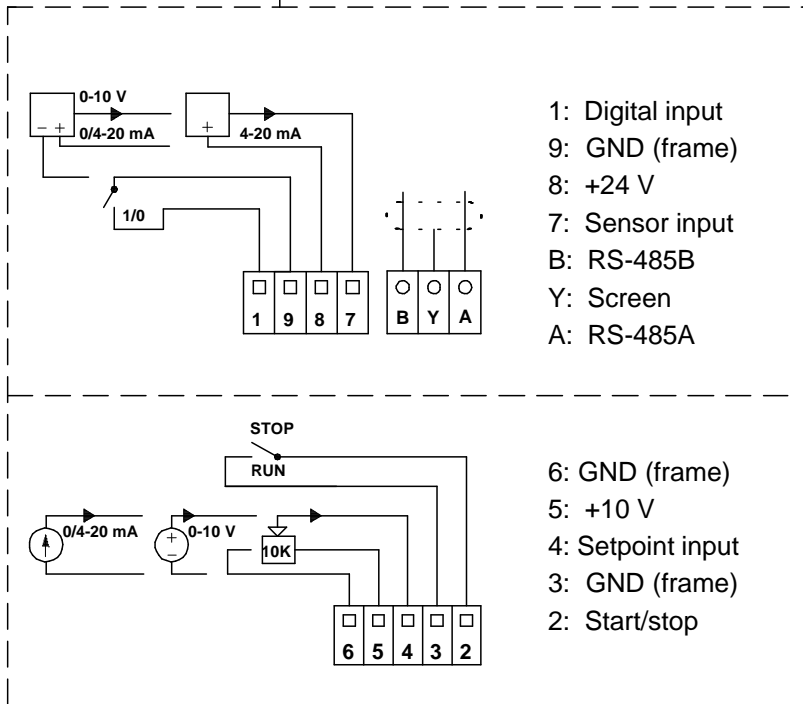
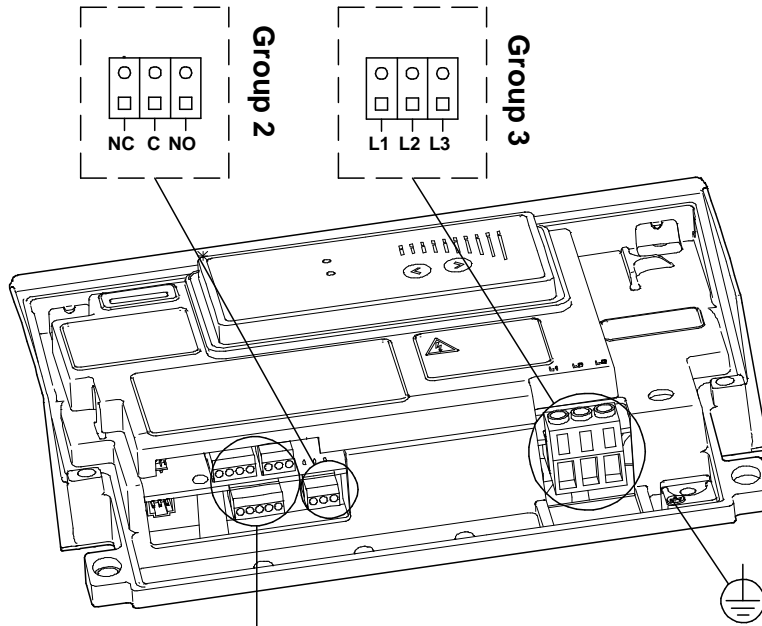


91136595 TPE 40-160/2 B 60 Hz



Note! All units are in [mm] unless others are stated.
 Disclaimer: This simplified dimensional drawing does not show all details.

91136595 TPE 40-160/2 B 60 Hz



All units are [mm] unless otherwise presented.