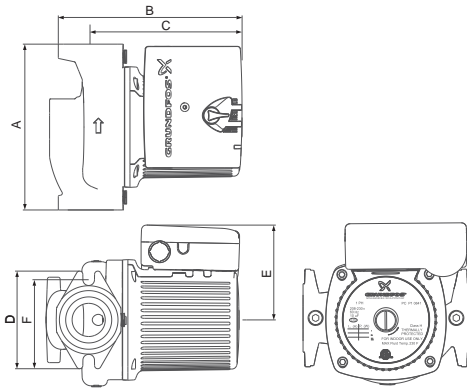


TM04 5463

Flow range: 0-53 gpm
 Head range: 0-46 feet
 Motors: 2-pole, single-phase
 Max. liquid temperature: 230 °F (110 °C)
 Min. liquid temperature: 36 °F (2 °C)
 Max. system pressure: 145 psi (10 bar)

UPS 26-150 F/SF



TM04 6014

Model	Spd	Volts	Amps	Watts	Hp	Capacitor
	3		3.5	370	1/6	40µF/ 180V
	2	115	3.1	335	1/6	
	1		2.5	265	1/6	
UPS 26-150 F/SF	3		1.7	350	1/6	10µF/ 400V
	2	208	1.5	310	1/6	
	1		1.2	250	1/6	
	3		1.7	370	1/6	10µF/ 400V
	2	230	1.5	335	1/6	
	1		1.2	265	1/6	

Approvals



Model type	Product number		Dimensions [inches]						Connection type and size	Shipping weight [lbs]
	115 V	208 / 230 V	A	B	C	D	E	F		
UPS 26-150 F	95906630	95906631	6 1/2	7 1/8	5 7/8	3 7/8	3 3/4	3 1/8	GF 15/26 flange (2) 1/2" dia. bolt holes	17.35
UPS 26-150 SF	95906632	95906633	6 1/2	7 1/8	5 7/8	3 7/8	3 3/4	3 1/8	GF 15/26 flange (2) 1/2" dia. bolt holes	17.35

Note: Dimensions in inches unless otherwise noted.