




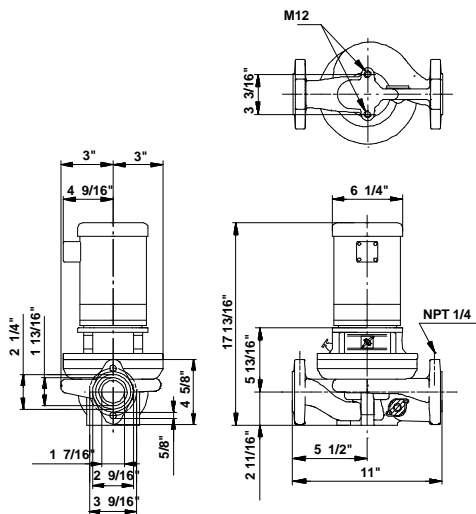
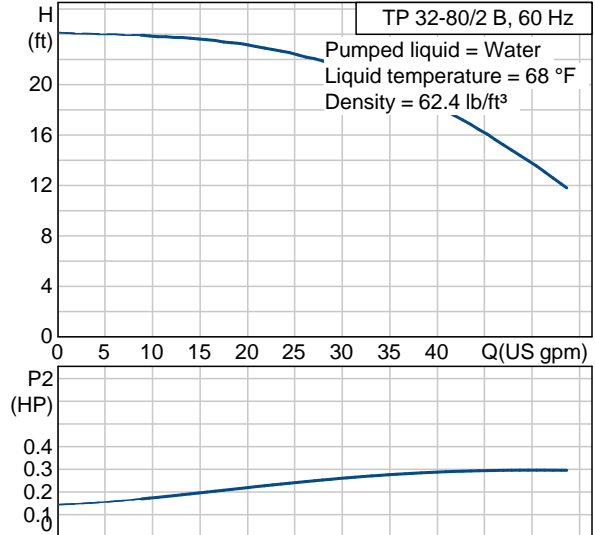
| Position | Count | Description | Unit price |
|----------|-------|--|------------|
| | -1 | <p>TP 32-80/2 B U-G-Z-BUBE</p>  <p>Product photo could vary from the actual product</p> <p>Product No.: 96411785 Single-stage centrifugal in-line single-head pump.</p> <p>The in-line design with opposite suction and discharge ports enables mounting in pipework or on a concrete foundation.</p> <p>The shaft seal is a corrosion-resistant maintenance-free mechanical seal.</p> <p>The motor is a 3-phase AC motor.</p> <p>Liquid: Liquid temperature range: 5 .. 284 °F Liquid temp: 68 °F</p> <p>Technical: Speed for pump data: 3530 rpm Actual calculated flow: 37.4 US gpm Resulting head of the pump: 19.3 ft Shaft seal: BUBE Maximum operating pressure: 145 psi Approvals on motor nameplate: UL Recognized Component, CSA</p> <p>Materials: Pump housing: Bronze DIN W.-Nr. 2.1093 Impeller: Stainless steel DIN W.-Nr. 1.4301 AISI 304</p> <p>Installation: Maximum ambient temperature: 104 °F Maximum operating pressure: 145 psi Flange standard: USA Pipe connection: 1 1/4"</p> <p>Electrical data: Motor type: Baldor, TEFC</p> | On request |



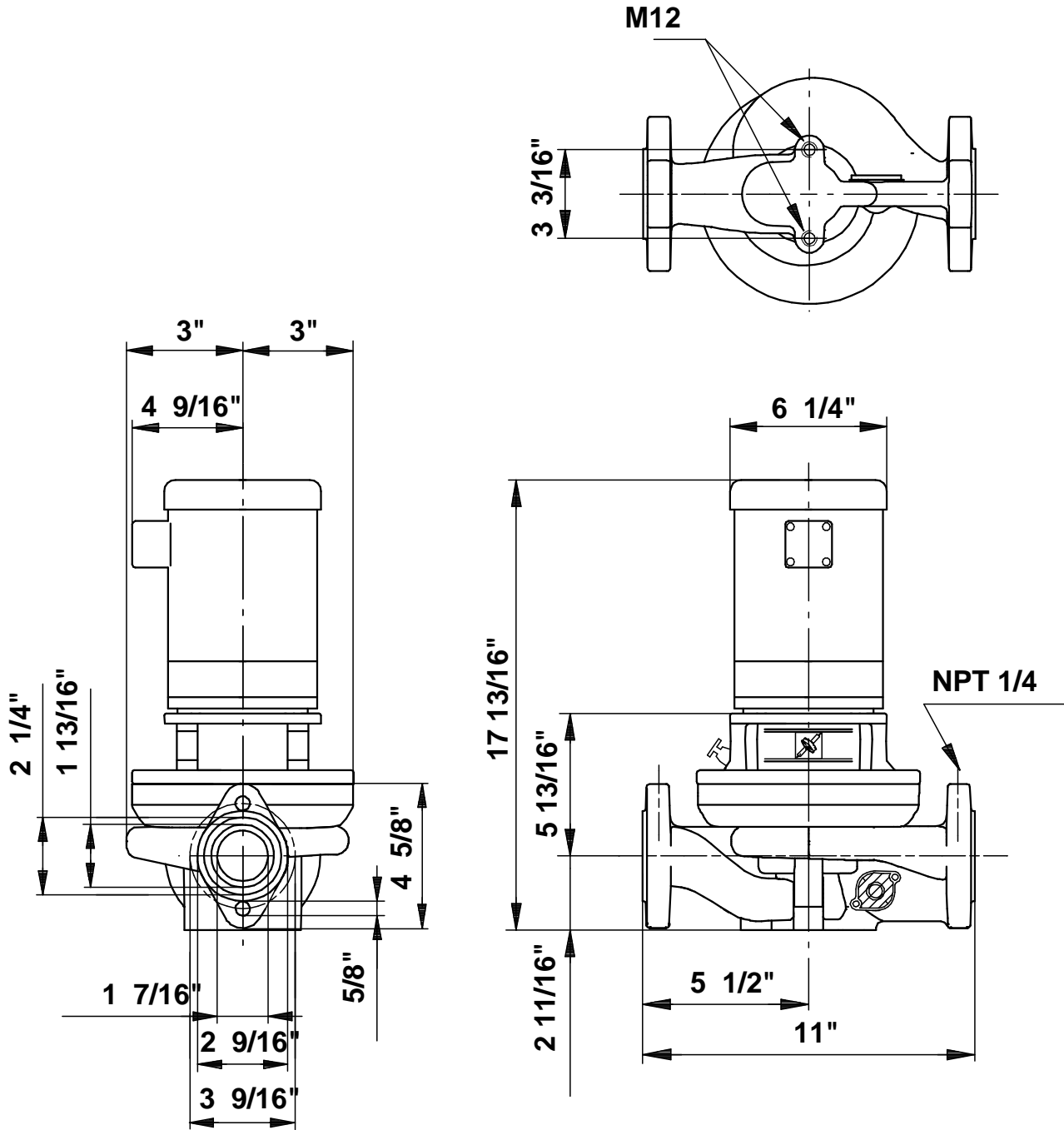
Company name: -
 Created by: -
 Phone: -
 Fax: -
 Date: -

| Position | Count | Description | Unit price |
|----------|-------|---|------------|
| | | Number of poles: 2 Rated power - P2: 0.496 HP Main frequency: 60 Hz Rated voltage: 3 x 208-230/460 V Service factor: 1,25 Rated current: 2,1-2/1 A Starting current: 13,1-12/6 A Cos phi - power factor: 63 Rated speed: 3450 rpm Motor efficiency at full load: 68 % Insulation class (IEC 85): B Others: Net weight: 53.4 lb Gross weight: 60.6 lb Shipping volume: 1.98 ft ³ | |

| Description | Value |
|--------------------------------|--|
| Product name: | TP 32-80/2 B U-G-Z-BUBE U-G-Z BUBE |
| Product Number: | 96411785 |
| EAN number: | 5700390523657 |
| Technical: | |
| Speed for pump data | 3530 rpm |
| Actual calculated flow: | 37.4 US gpm |
| Resulting head of the pump: | 19.3 ft |
| Head max: | 26.2 ft |
| Shaft seal: | BUBE |
| Maximum operating pressure | 145 psi |
| Approvals on motor nameplate: | UL Recognized Component, CSA |
| Pump Number: | 96405250 |
| Pump version: | U |
| Materials: | |
| Pump housing: | Bronze DIN W.-Nr. 2.1093 |
| Impeller: | Stainless steel DIN W.-Nr. 1.4301 AISI 304 |
| Material code: | Z |
| Installation: | |
| Maximum ambient temperature: | 104 °F |
| Maximum operating pressure | 145 psi |
| Flange standard: | USA |
| Connect code: | G |
| Pipe connection: | 1 1/4" |
| Liquid: | |
| Liquid temperature range | 5 .. 284 °F |
| Liquid temp: | 68 °F |
| Electrical data: | |
| Motor type: | Baldor, TEFC |
| Number of poles: | 2 |
| Rated power - P2: | 0.496 HP |
| KVA code: | J |
| Main frequency: | 60 Hz |
| Rated voltage: | 3 x 208-230/460 V |
| Service factor: | 1,25 |
| Rated current: | 2,1-2/1 A |
| Starting current | 13,1-12/6 A |
| Load current: | 2,6-2,4/1,2 A |
| Cos phi - power factor: | 63 |
| Rated speed: | 3450 rpm |
| Motor efficiency at full load: | 68 % |
| Insulation class (IEC 85): | B |
| Motor protection: | NONE |
| Motor Number: | 85600002 |
| Others: | |
| Net weight: | 53.4 lb |
| Gross weight: | 60.6 lb |
| Shipping volume: | 1.98 ft³ |
| Country code: | Namreg |



96411785 TP 32-80/2 B 60 Hz



Note! All units are in [mm] unless others are stated.
 Disclaimer: This simplified dimensional drawing does not show all details.