
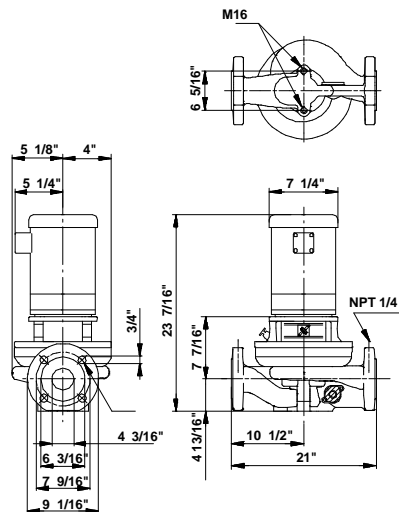
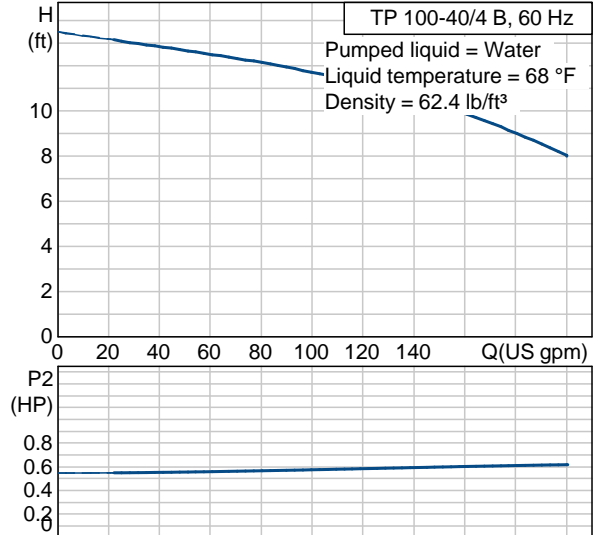




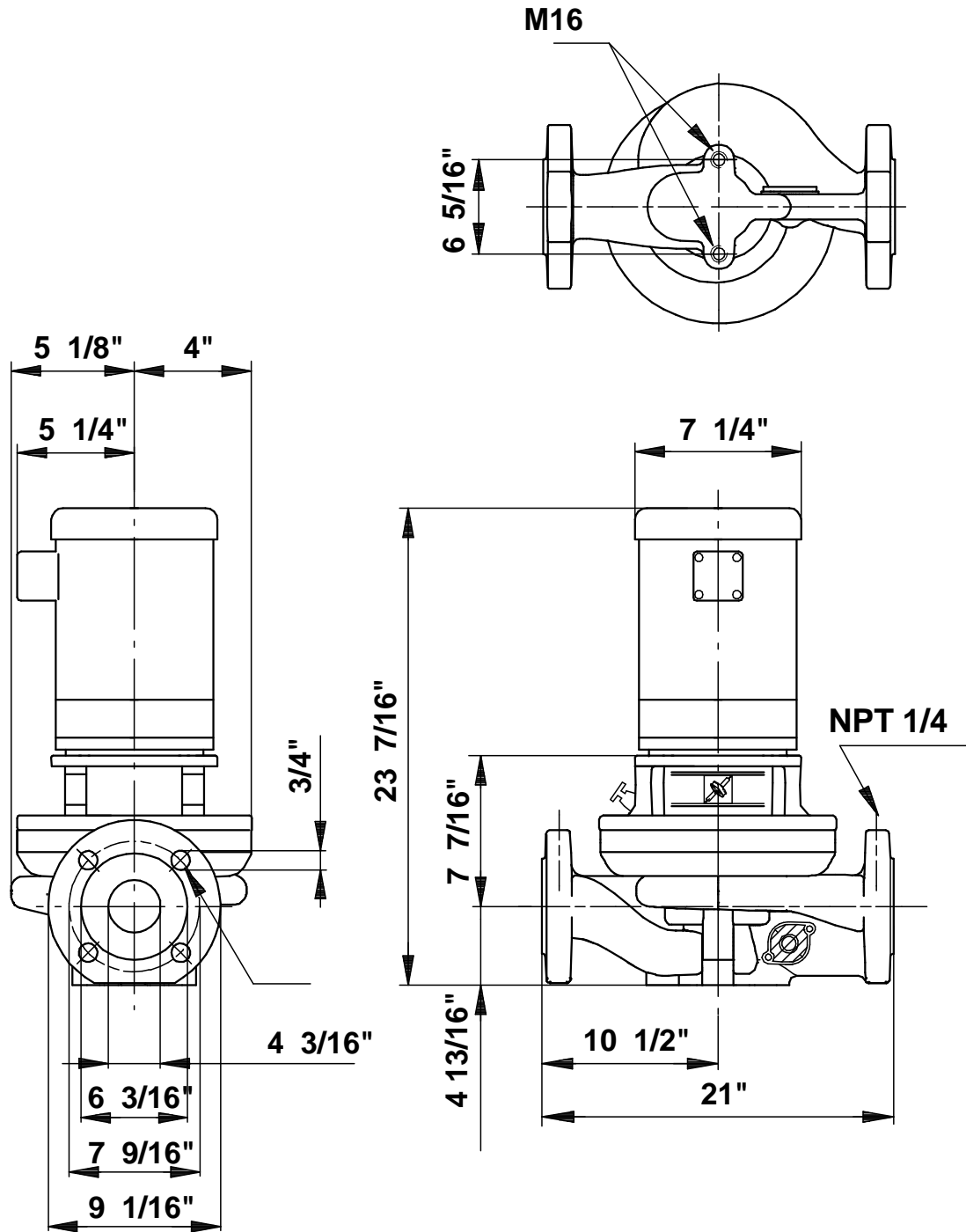
Position	Count	Description	Unit price
	-1	<p><b>TP 100-40/4 B U-G-Z-BUBE</b></p>  <p>Product photo could vary from the actual product</p> <p>Product No.: 96411844 Single-stage centrifugal in-line single-head pump.</p> <p>The in-line design with opposite suction and discharge ports enables mounting in pipework or on a concrete foundation.</p> <p>The shaft seal is a corrosion-resistant maintenance-free mechanical seal.</p> <p>The motor is a 1-phase AC motor.</p> <p><b>Liquid:</b> Liquid temperature range: 5 .. 284 °F Liquid temp: 68 °F</p> <p><b>Technical:</b> Speed for pump data: 1770 rpm Actual calculated flow: 181 US gpm Resulting head of the pump: 9.03 ft Shaft seal: BUBE Maximum operating pressure: 145 psi Approvals on motor nameplate: UL Recognized Component, CSA</p> <p><b>Materials:</b> Pump housing: Bronze DIN W.-Nr. 2.1093 Impeller: Stainless steel DIN W.-Nr. 1.4301 AISI 304</p> <p><b>Installation:</b> Maximum ambient temperature: 104 °F Maximum operating pressure: 145 psi Flange standard: ANSI Pipe connection: 4" Pressure stage: 125 Lb.</p> <p><b>Electrical data:</b></p>	On request

Position	Count	Description	Unit price
		Motor type: Baldor, TEFC Number of poles: 4 Rated power - P2: 1.01 HP Main frequency: 60 Hz Rated voltage: 1 x 115/208-230 V Service factor: 1,15 Rated current: 12,8/7-6,4 A Starting current: 74/40,9-37 A Cos phi - power factor: 73 Rated speed: 1725 rpm Motor efficiency at full load: 67 % Insulation class (IEC 85): B  Others: Net weight: 163 lb Gross weight: 172 lb Shipping volume: 4.98 ft <sup>3</sup>	

Description	Value
Product name:	TP 100-40/4 B U-G-Z-BUBE U-G-Z BUBE
Product Number:	96411844
EAN number:	5700390525903
<b>Technical:</b>	
Speed for pump data	1770 rpm
Actual calculated flow:	181 US gpm
Resulting head of the pump:	9.03 ft
Head max:	13.1 ft
Shaft seal:	BUBE
Maximum operating pressure	145 psi
Approvals on motor nameplate:	UL Recognized Component, CSA
Pump Number:	96405278
Pump version:	U
<b>Materials:</b>	
Pump housing:	Bronze DIN W.-Nr. 2.1093
Impeller:	Stainless steel DIN W.-Nr. 1.4301 AISI 304
Material code:	Z
<b>Installation:</b>	
Maximum ambient temperature:	104 °F
Maximum operating pressure	145 psi
Flange standard:	ANSI
Connect code:	G
Pipe connection:	4"
Pressure stage:	125 Lb.
<b>Liquid:</b>	
Liquid temperature range	5 .. 284 °F
Liquid temp:	68 °F
<b>Electrical data:</b>	
Motor type:	Baldor, TEFC
Number of poles:	4
Rated power - P2:	1.01 HP
KVA code:	K
Main frequency:	60 Hz
Rated voltage:	1 x 115/208-230 V
Service factor:	1,15
Rated current:	12,8/7-6,4 A
Starting current	74/40,9-37 A
Load current:	15/8,1-7,5 A
Cos phi - power factor:	73
Rated speed:	1725 rpm
Motor efficiency at full load:	67 %
Insulation class (IEC 85):	B
Motor protection:	CONTACT
Thermal protec:	internal
Motor Number:	85701004
<b>Others:</b>	
Net weight:	163 lb
Gross weight:	172 lb
Shipping volume:	4.98 ft³
Country code:	Namreg



96411844 TP 100-40/4 B 60 Hz



Note! All units are in [mm] unless others are stated.  
 Disclaimer: This simplified dimensional drawing does not show all details.