

PROJECT: _____	UNIT TAG: _____	QUANTITY: _____
REPRESENTATIVE: _____	TYPE OF SERVICE: _____	DATE: _____
ENGINEER: _____	SUBMITTED BY: _____	DATE: _____
CONTRACTOR: _____	APPROVED BY: _____	DATE: _____
	ORDER NO.: _____	DATE: _____

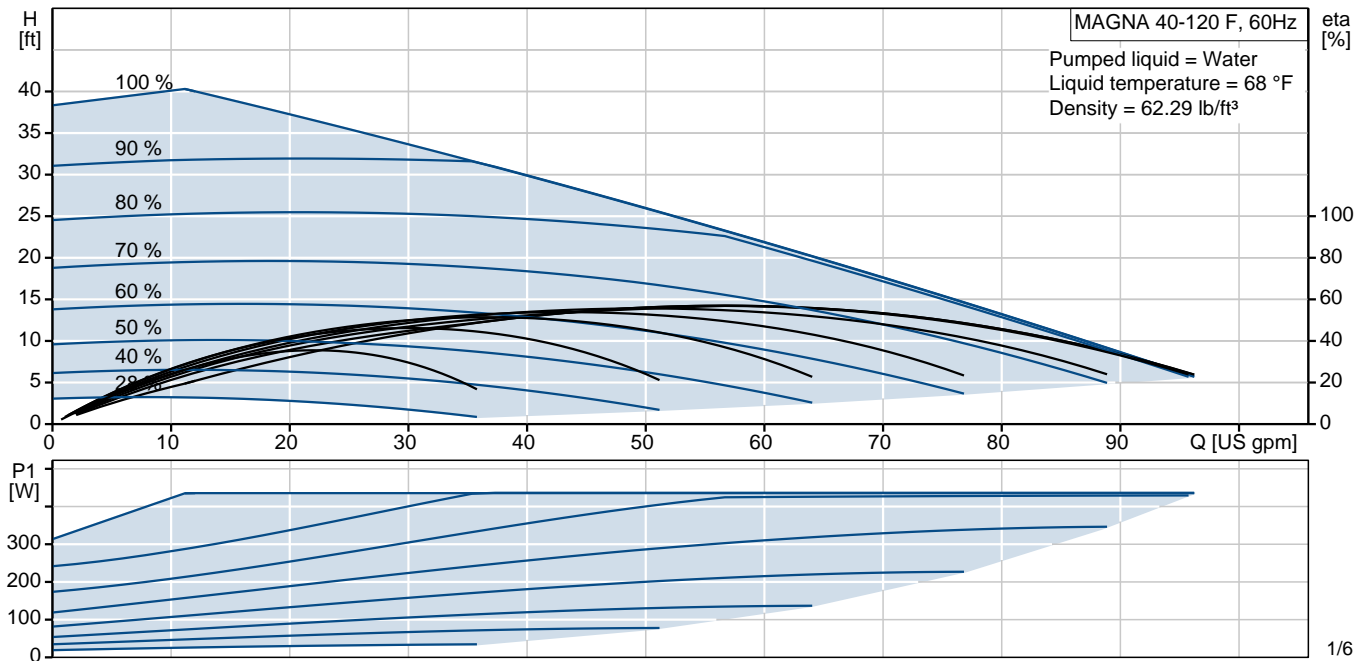
MAGNA 40-120 F

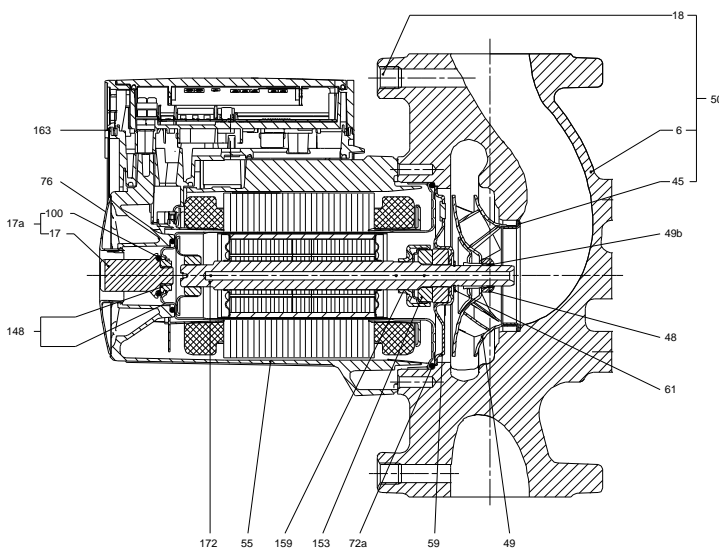
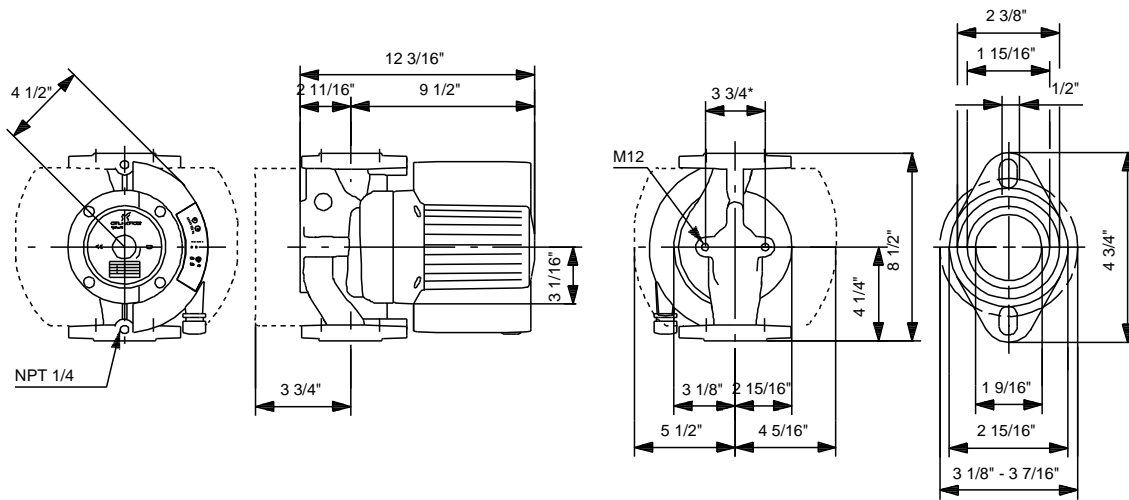
Circulator pumps, electronically controlled



Product photo could vary from the actual product

Conditions of Service	Pump Data	Motor Data
Flow: _____	Maximum operating pressure: 174 psi	P1 max: 25 .. 450 W
Head: _____	Liquid temperature range: 59 .. 203 °F	Rated voltage: 230 V
Efficiency: _____	Maximum ambient temperature: 104 °F	Main frequency: 60 Hz
Liquid: Water	Approvals: CCSAUS	Enclosure class: X4D
Temperature: 68 °F	Flange standard: GF 15/26 & GF 40/43	Insulation class: H
NPSH required: _____	Pipe connection: 1.5"	
Viscosity: _____	Product number: 96734489	
Specific Gravity: 1.000		

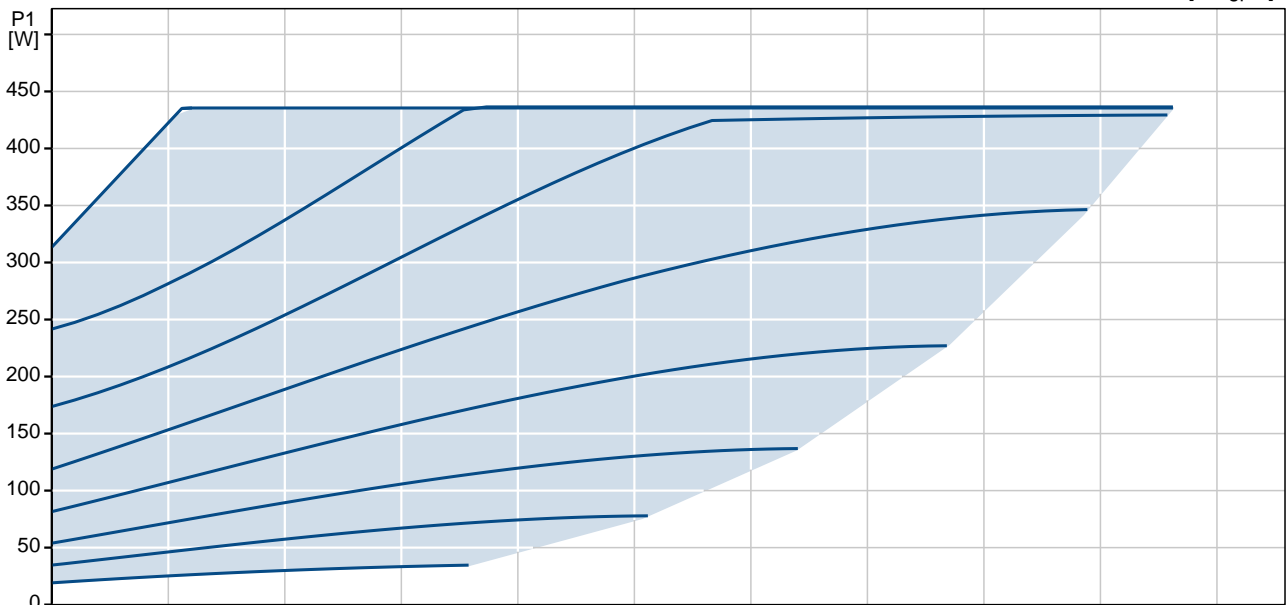
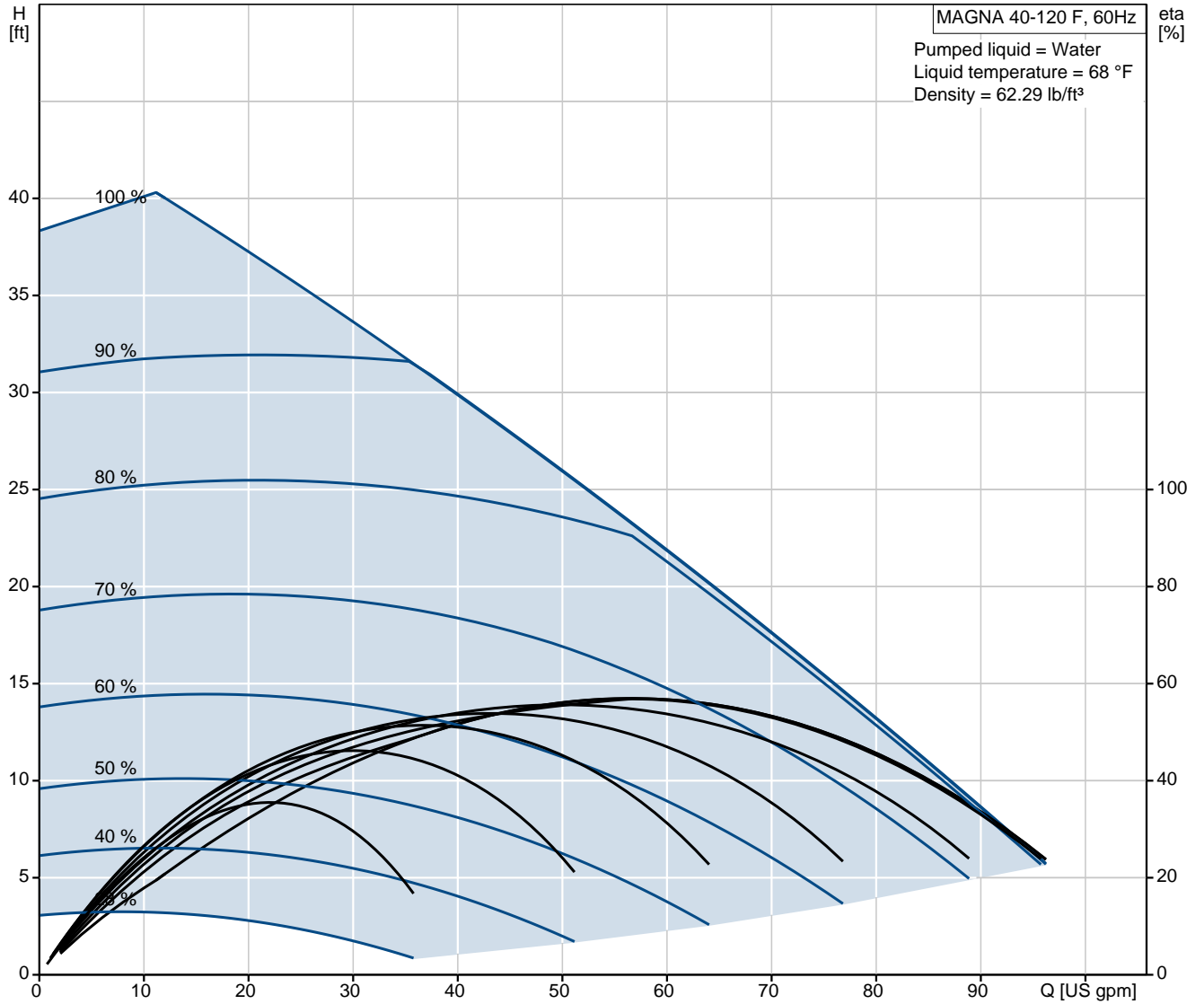




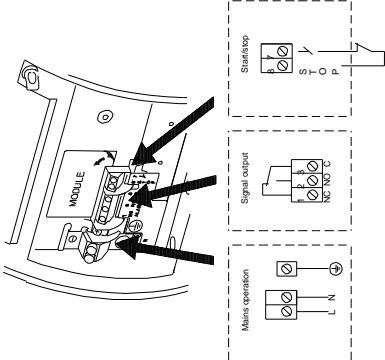
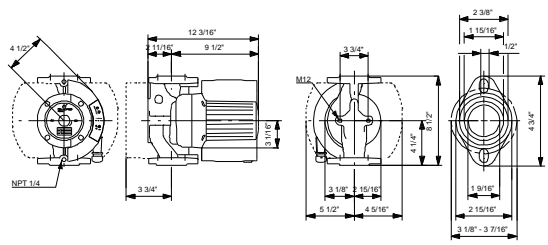
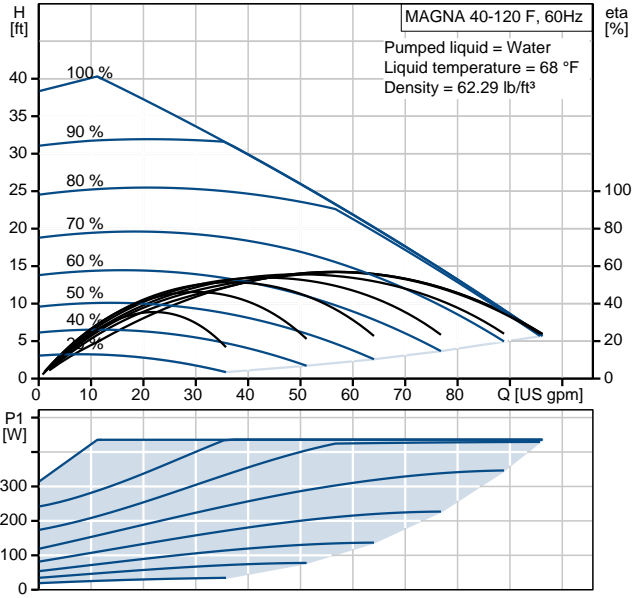
Materials:

- Pump housing: Cast iron
EN-GJL250
AISI A48 CL35
ASTM EN-GJL250
- Impeller: Stainless steel
DIN W.-Nr. 1.4301
AISI 304

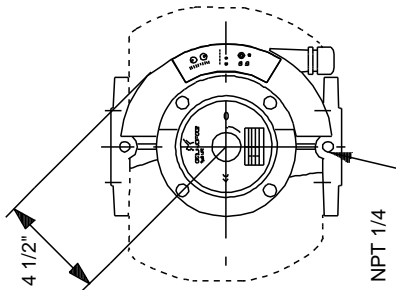
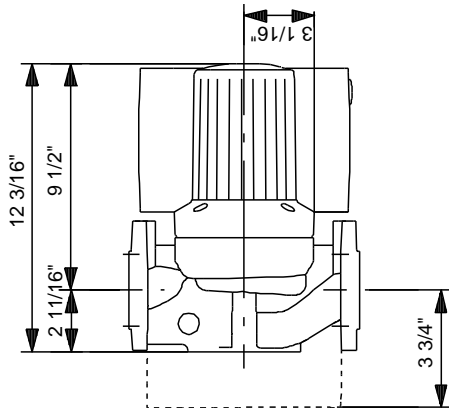
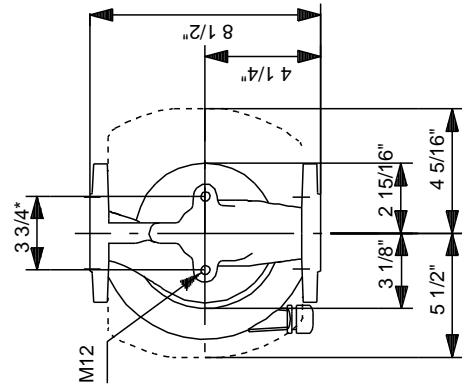
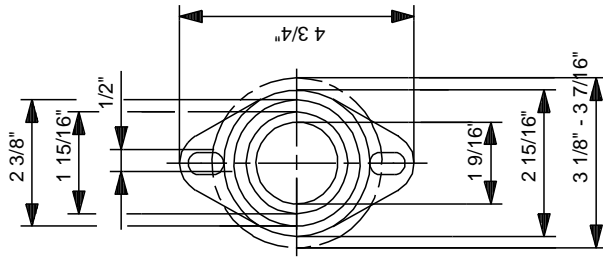
96734489 MAGNA 40-120 F 60 Hz



Description	Value
Product name:	MAGNA 40-120 F
Product Number:	96734489
EAN number:	5700838071573
Technical:	
Head max:	39.4 ft
TF class:	110
Approvals on nameplate:	CCSAUS
Model:	F
Materials:	
Pump housing:	Cast iron EN-GJL250 AISI A48 CL35 ASTM EN-GJL250
Impeller:	Stainless steel DIN W.-Nr. 1.4301 AISI 304
Installation:	
Range of ambient temperature:	32 .. 104 °F
Maximum operating pressure:	174 psi
Flange standard:	GF 15/26 & GF 40/43
Pipe connection:	1.5"
Pressure stage:	175 PSI
Port-to-port length:	8 1/2 in
Liquid:	
Pumped liquid:	Water
Liquid temperature range:	59 .. 203 °F
Liquid temp:	68 °F
Density:	62.29 lb/ft³
Electrical data:	
Power input - P1:	25 .. 450 W
Maximum current consumption:	0.17 .. 2 A
Main frequency:	60 Hz
Rated voltage:	1 x 230 V
Enclosure class (IEC 34-5):	X4D
Insulation class (IEC 85):	H
Controls:	
Pos term box:	15
Others:	
Net weight:	75 lb
Gross weight:	38.6 lb
Shipping volume:	2.83 ft³
Energy label:	A

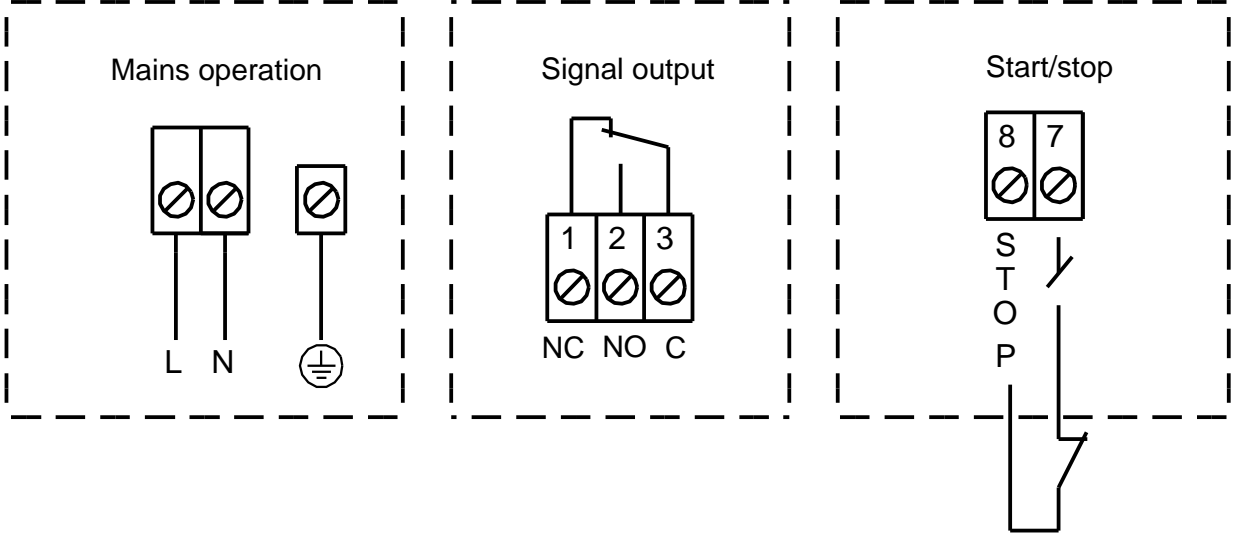
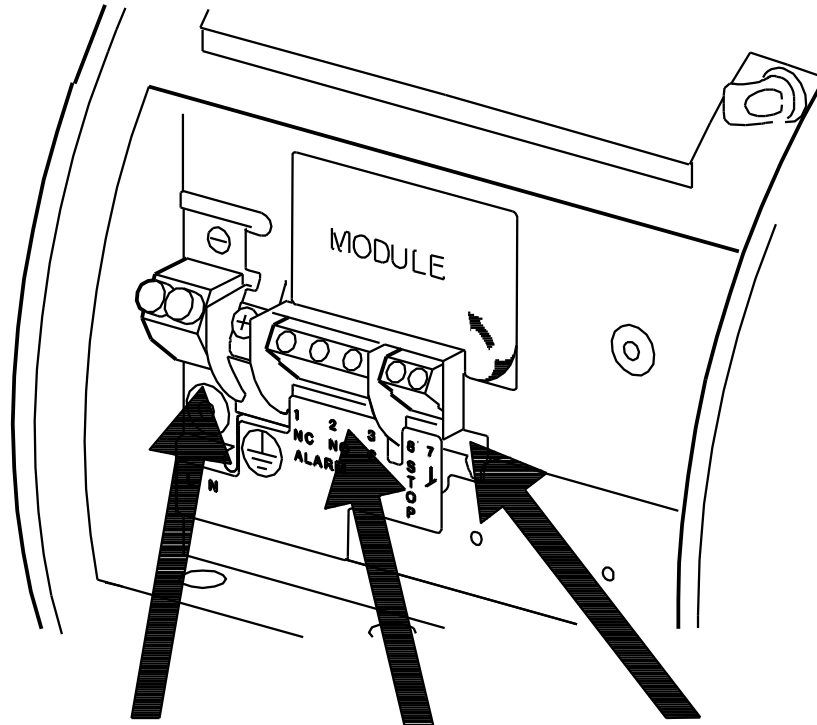


96734489 MAGNA 40-120 F 60 Hz



Note! All units are in [mm] unless others are stated.
 Disclaimer: This simplified dimensional drawing does not show all details.

96734489 MAGNA 40-120 F 60 Hz



All units are [mm] unless otherwise presented.