

PROJECT: _____	UNIT TAG: _____	QUANTITY: _____
REPRESENTATIVE: _____	TYPE OF SERVICE: _____	DATE: _____
ENGINEER: _____	SUBMITTED BY: _____	DATE: _____
CONTRACTOR: _____	APPROVED BY: _____	DATE: _____
	ORDER NO.: _____	DATE: _____

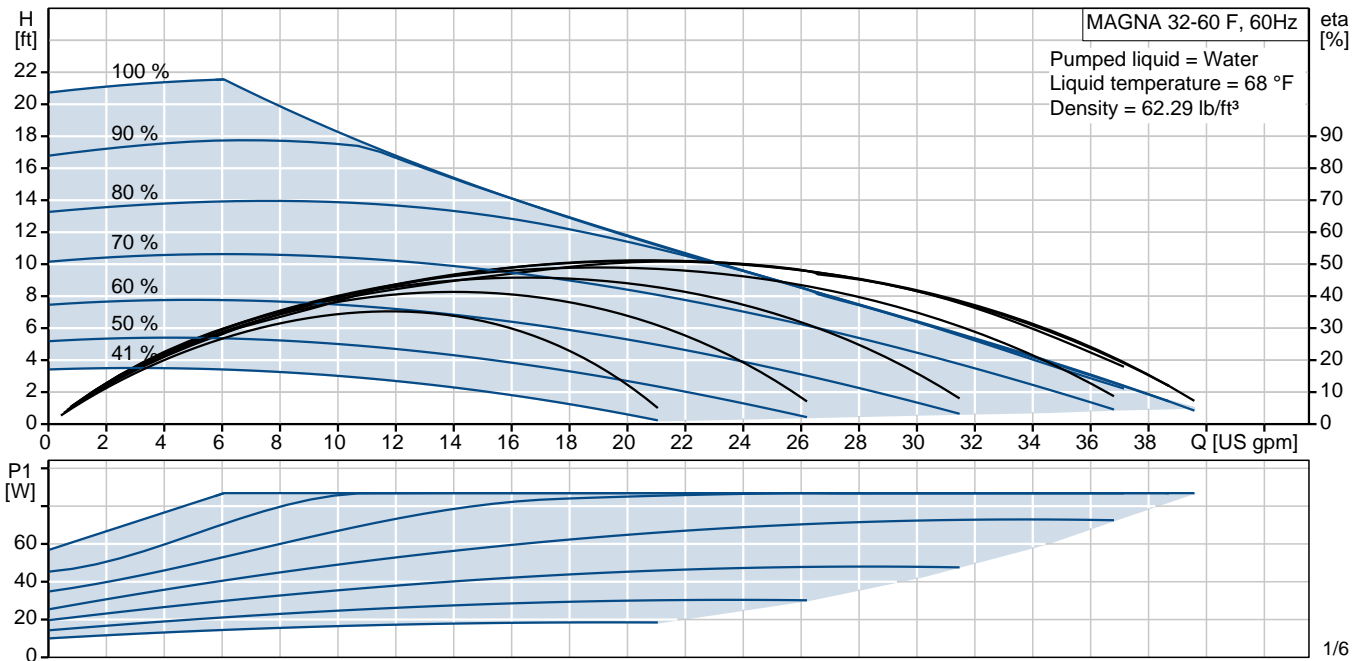
MAGNA 32-60 F

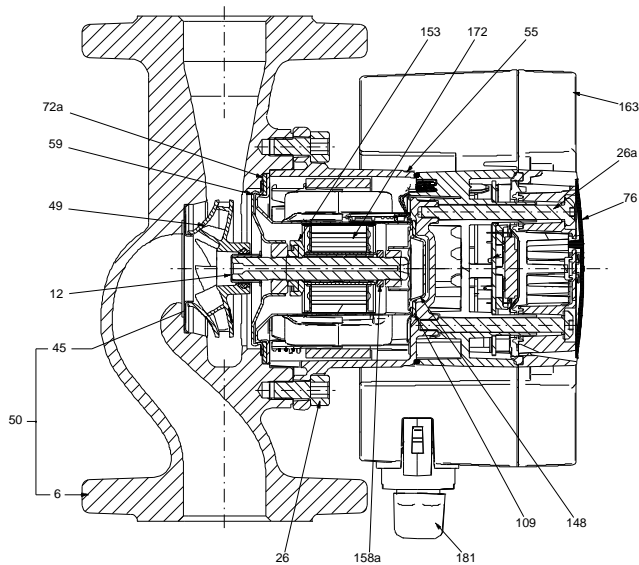
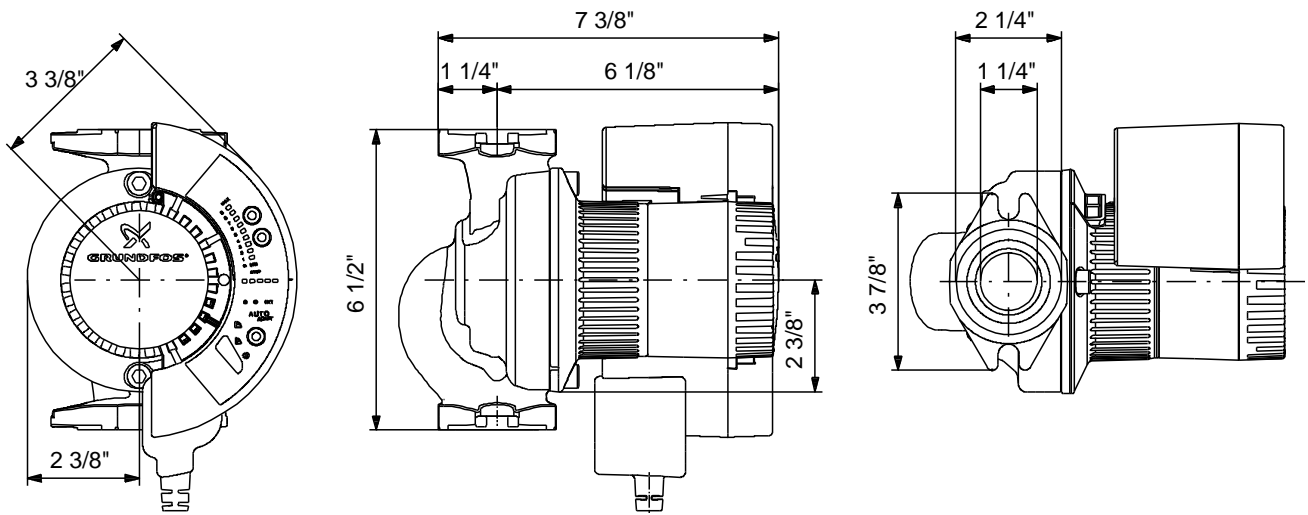
Circulator pumps, electronically controlled



Product photo could vary from the actual product

Conditions of Service	Pump Data	Motor Data
Flow: _____	Maximum operating pressure: 203 psi	P1 max: 10 .. 85 W
Head: _____	Maximum ambient temperature: 104 °F	Rated voltage: 208-230 V
Efficiency: _____	Approvals: CETLUS	Main frequency: 60 Hz
Liquid: Water	Flange standard: GF 15/26	Enclosure class: X4D
Temperature: 68 °F	Pipe connection: 1.25"	Insulation class: F
NPSH required: _____	Product number: 98071395	
Viscosity: _____		
Specific Gravity: 1.000		

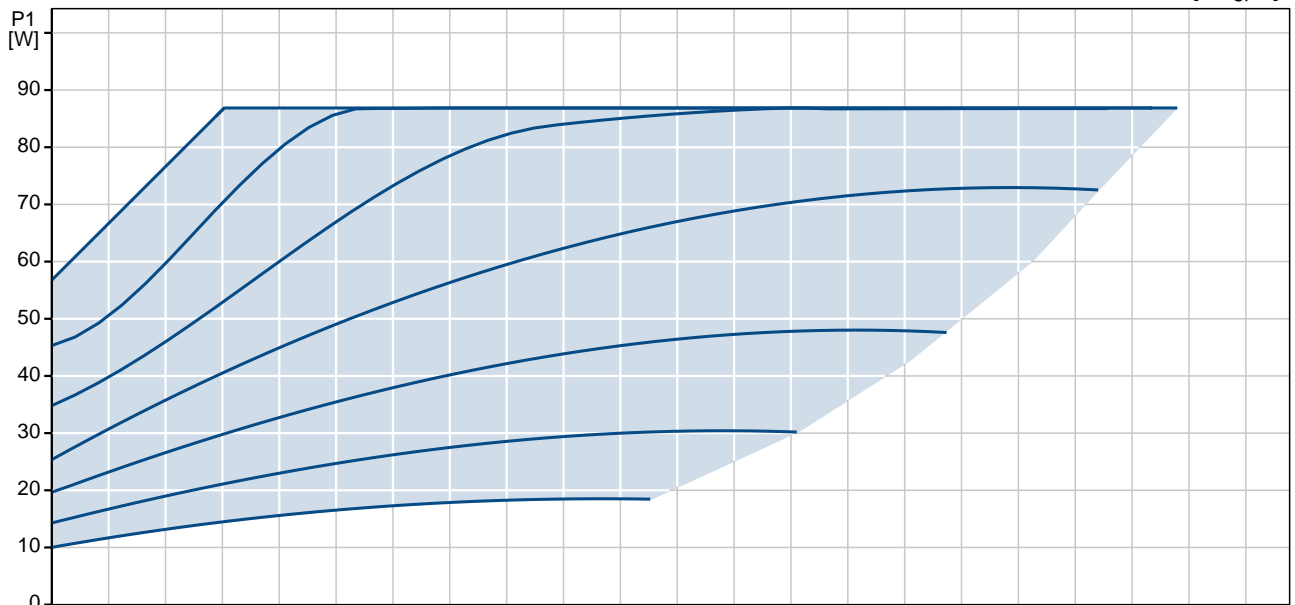
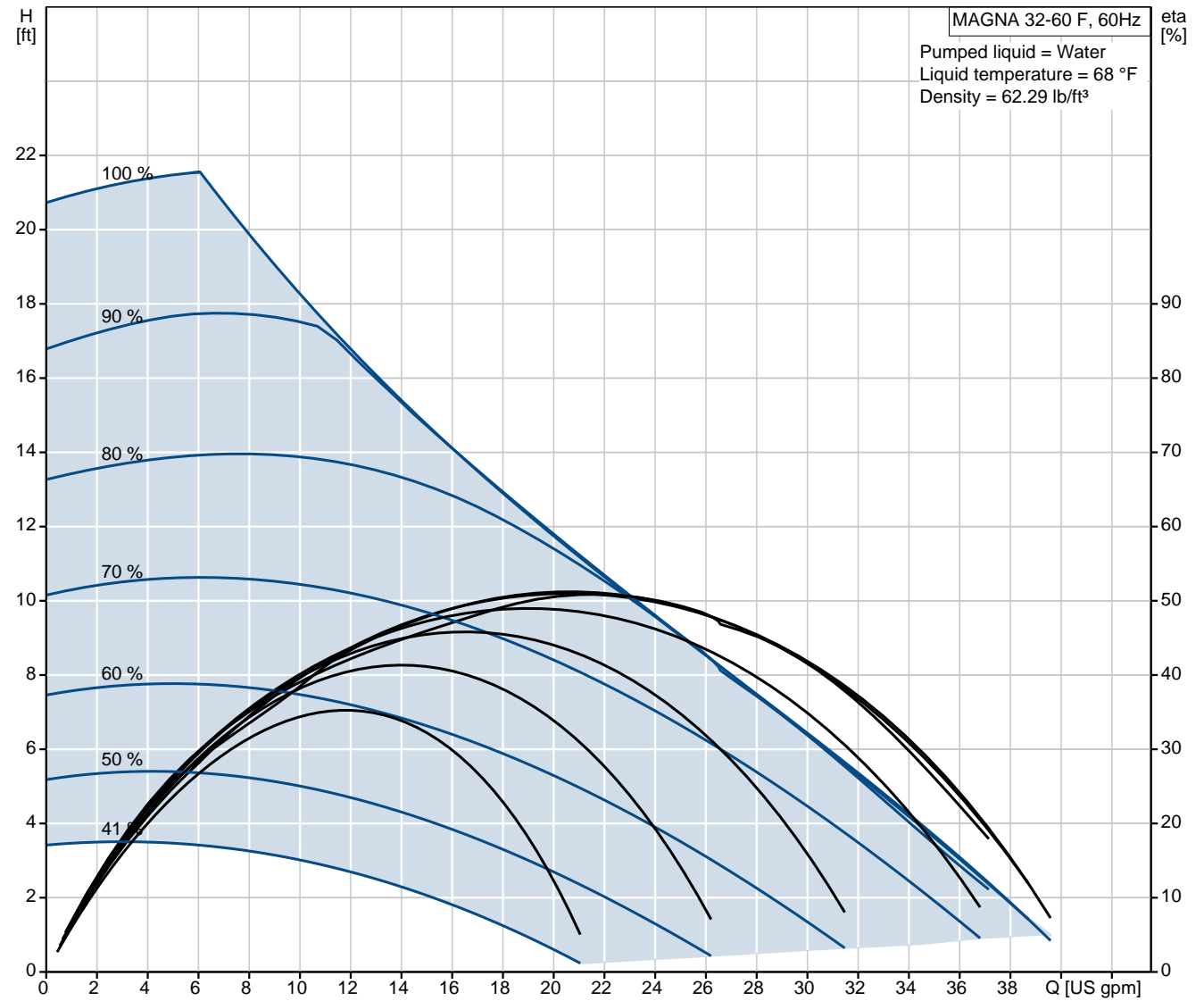




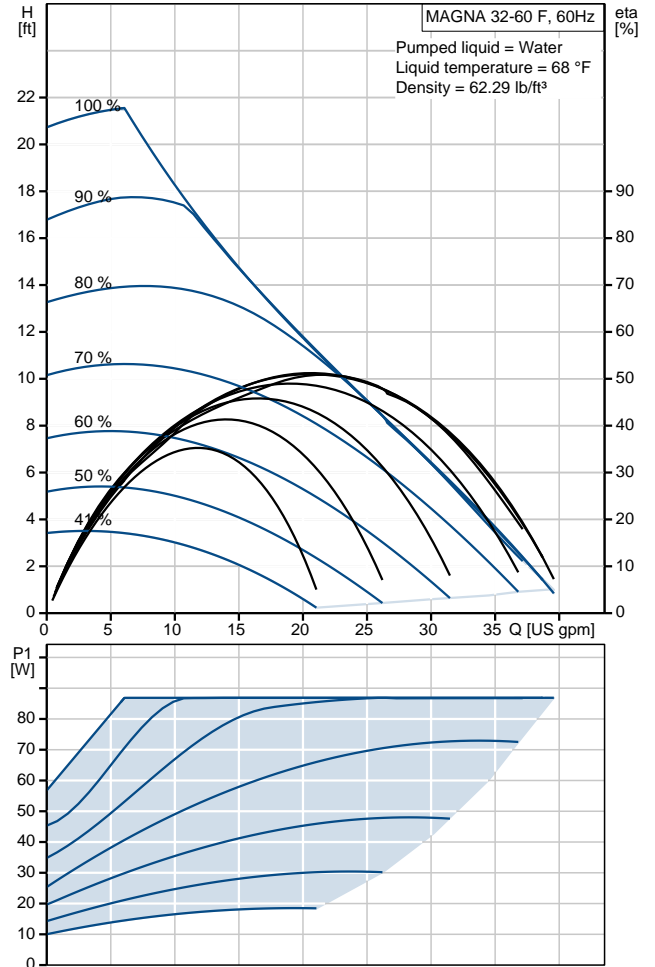
Materials:

- Pump housing: Cast iron
- EN-GJL250
- AISI A48 CL35
- ASTM EN-GJL250
- Impeller: Stainless steel
- DIN W.-Nr. 1.4301
- AISI 304

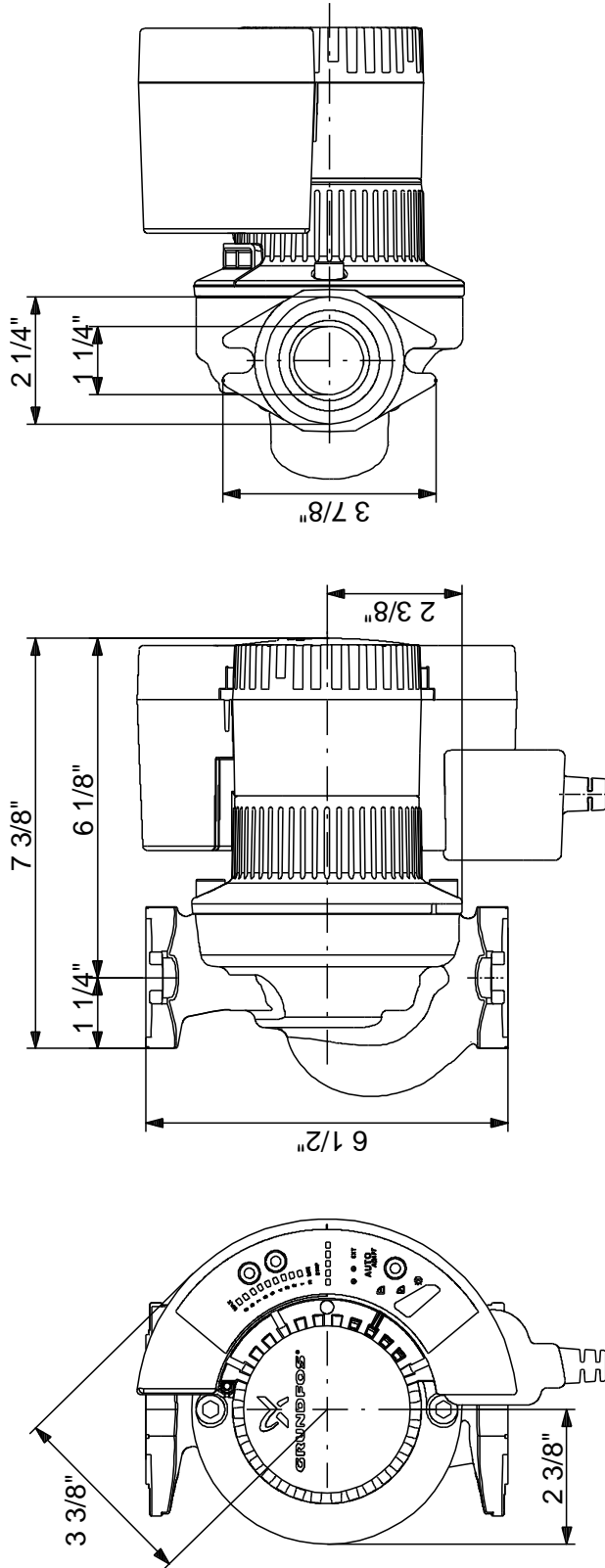
98071395 MAGNA 32-60 F 60 Hz



Description	Value
Product name:	MAGNA 32-60 F
Product Number:	98071395
EAN number:	5710628443879
Technical:	
Head max:	19.7 ft
TF class:	110
Approvals on nameplate:	CETLUS
Model:	F
Materials:	
Pump housing:	Cast iron EN-GJL250 AISI A48 CL35 ASTM EN-GJL250
Impeller:	Stainless steel DIN W.-Nr. 1.4301 AISI 304
Installation:	
Range of ambient temperature:	32 .. 104 °F
Maximum operating pressure:	203 psi
Flange standard:	GF 15/26
Pipe connection:	1.25"
Pressure stage:	200 PSI
Port-to-port length:	6 1/2 mm
Liquid:	
Pumped liquid:	Water
Maximum liquid temperature:	201.2 °F
Liquid temp:	68 °F
Density:	62.29 lb/ft³
Electrical data:	
Power input - P1:	10 .. 85 W
Maximum current consumption:	0.1 .. 1.23 A
Main frequency:	60 Hz
Rated voltage:	1 x 208-230 V
Enclosure class (IEC 34-5):	X4D
Insulation class (IEC 85):	F
Controls:	
Pos term box:	3H
Others:	
Net weight:	12.6 lb
Gross weight:	13.2 lb
Shipping volume:	0.42 ft³
Energy label:	A

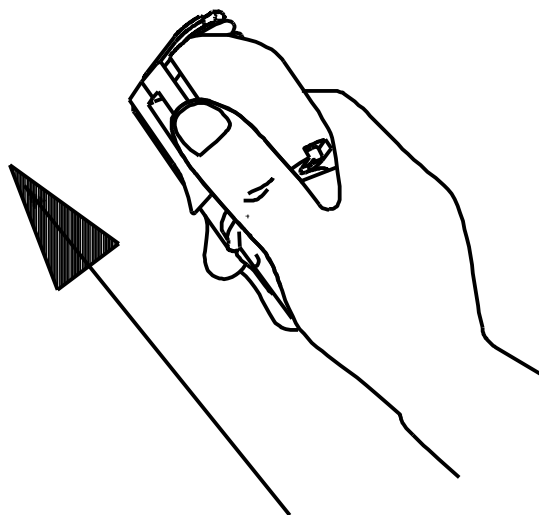
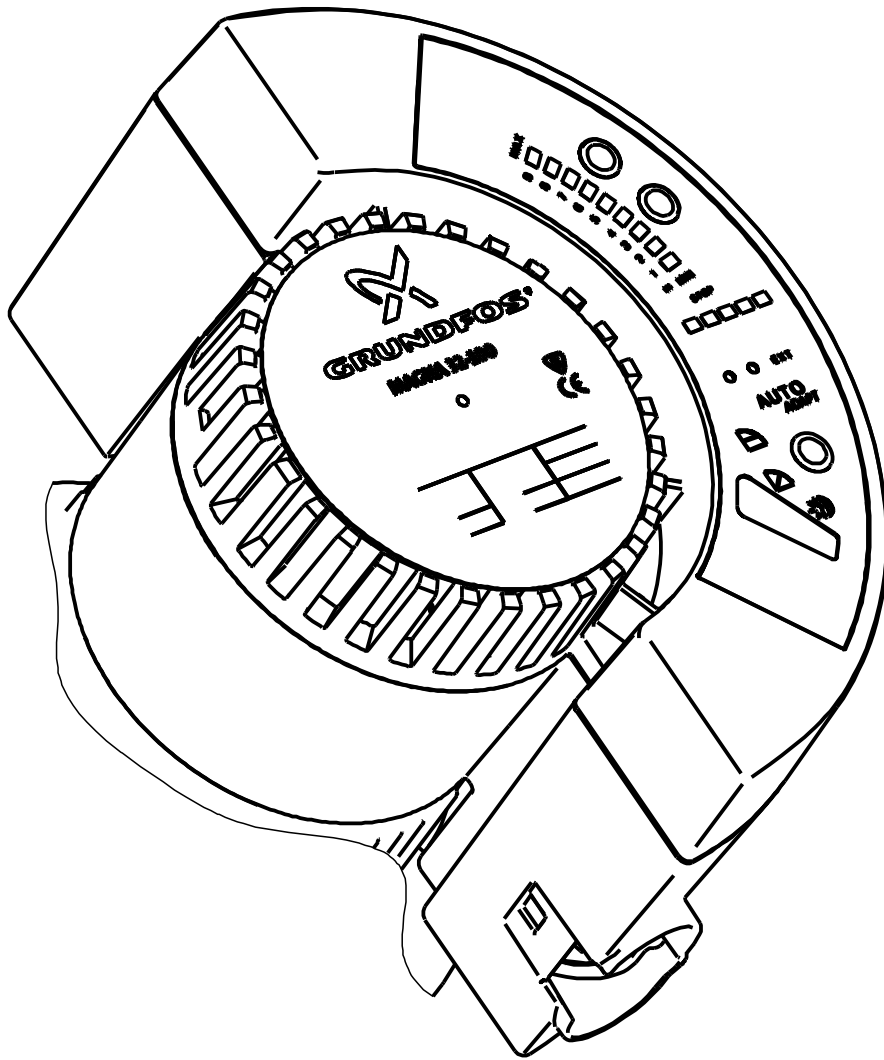


98071395 MAGNA 32-60 F 60 Hz



Note! All units are in [mm] unless others are stated.
Disclaimer: This simplified dimensional drawing does not show all details.

98071395 MAGNA 32-60 F 60 Hz



All units are [mm] unless otherwise presented.