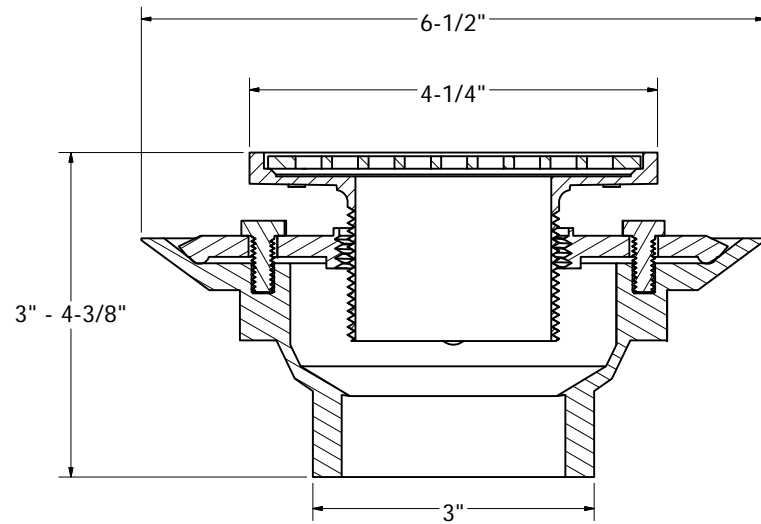
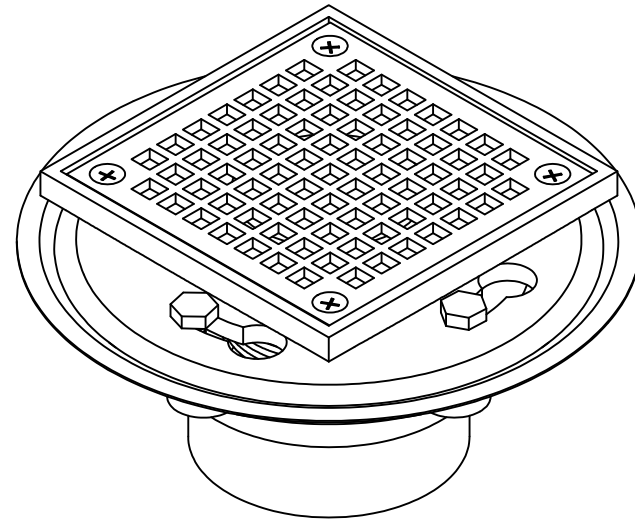
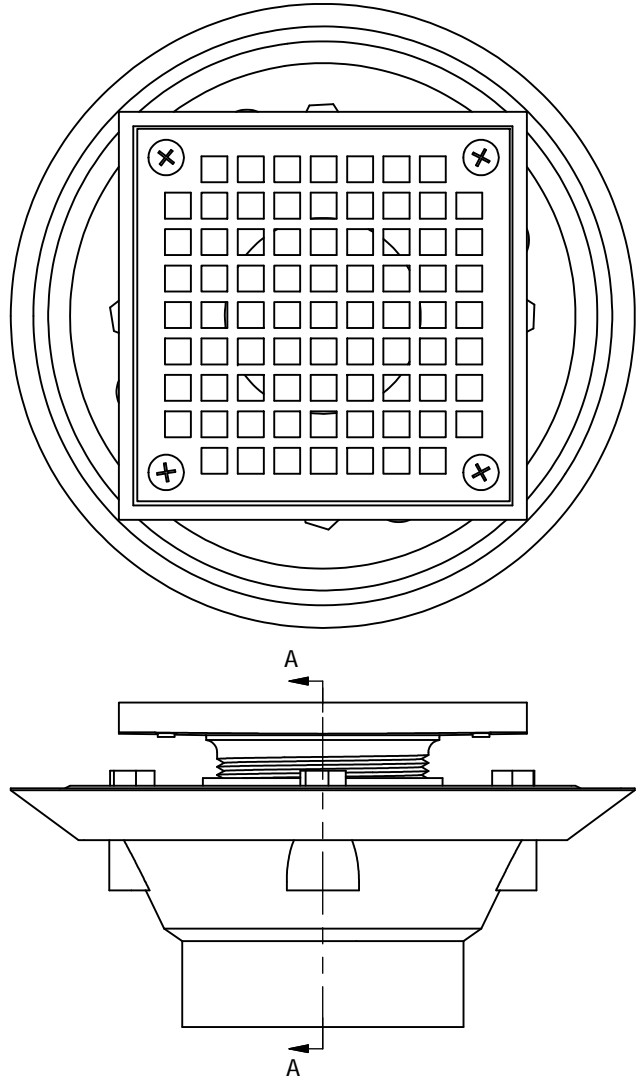


2" X 3" SHOWER DRAIN WITH 2" BRASS SPUD AND 4-1/4" SQUARE STRAINER



PHONE NUMBER
1-800-355-6637
FAX NUMBER
1-800-462-6991
SCALE 1 : 1 DATE 11-30-12
SHEET 1 OF 1
DRAWN BY
ASHLEY KRALOVEC

PART NO.	D50942	D5094BN	D5094RB	D5094WB
FINISH	CHROME PLATED	BRUSHED NICKEL	OIL RUBBED BRONZE	OLD WORLD BRONZE
CTN QTY	1	1	1	1