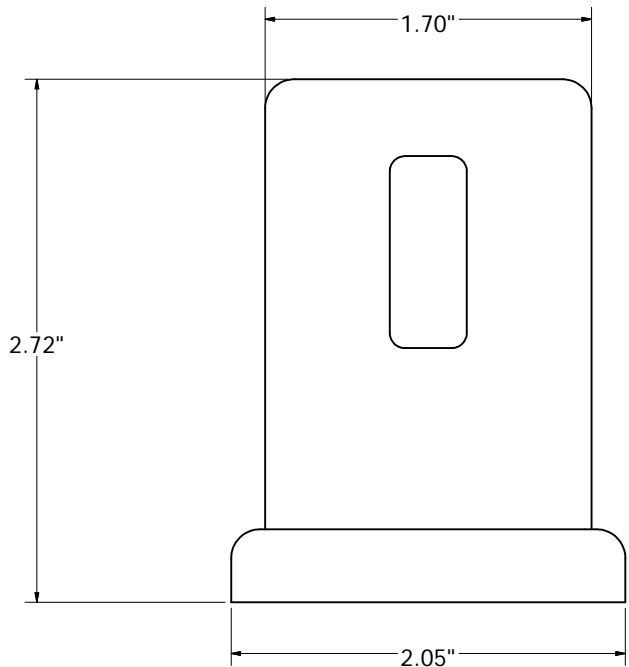
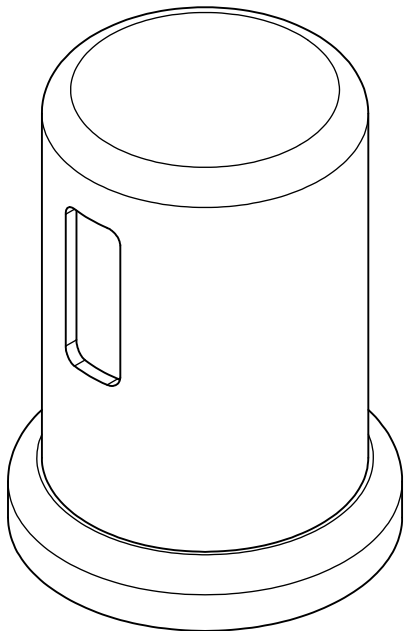
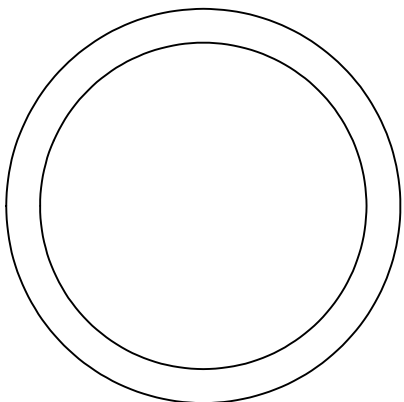


# DECORATIVE AIR GAP COVER



- MANUFACTURED OF CELCON WILL NOT CRACK, CHIP, OR PEEL
- REPLACES CHROME COVER ON MOST AIR GAPS
- BLISTER CARD PACKAGING



PHONE NUMBER  
**1-800-355-6637**  
 FAX NUMBER  
**1-800-462-6991**  
 SCALE: 2 : 1      DATE: 8-26-11  
 SHEET  
**1 OF 1**  
 DRAWN BY  
**ASHLEY KRALOVEC**

PART NO.	A10002	A10003	A10004	A10005	A10006	
FINISH	POLAR WHITE	EURO WHITE	BISCUIT	ALMOND	BLACK	