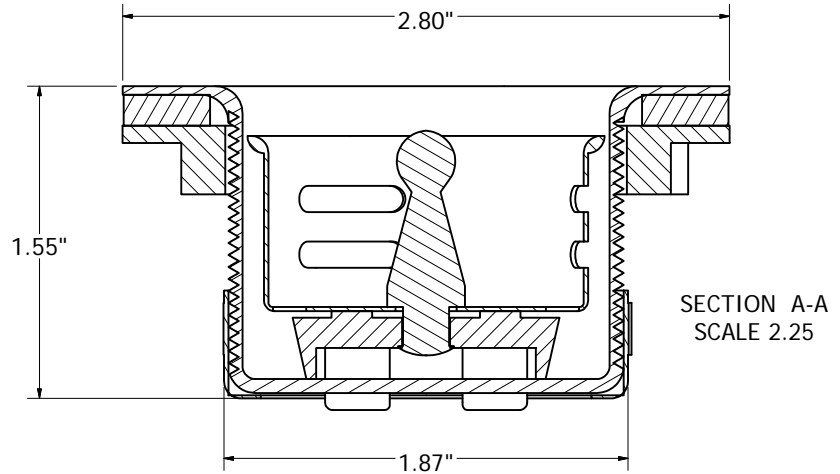
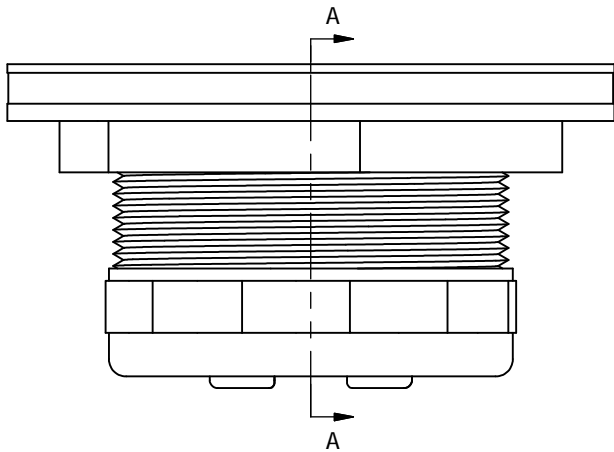
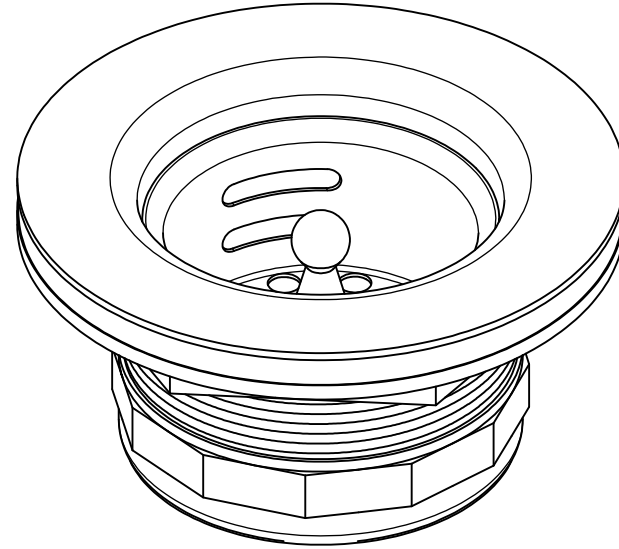
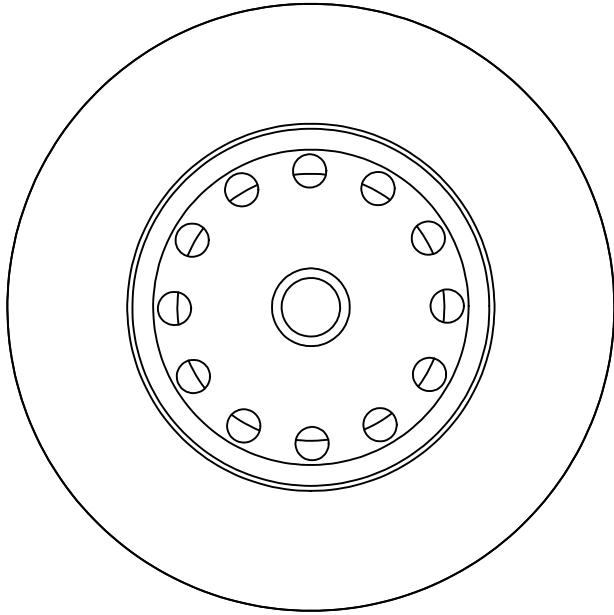


# JUNIOR DUO BASKET STRAINER



PHONE NUMBER  
**1-800-355-6637**  
FAX NUMBER  
**1-800-462-6991**  
SCALE 2.25 : 1      DATE 8-23-11  
SHEET  
**1 OF 1**  
DRAWN BY  
**ASHLEY KRALOVEC**

PART NO.	B02050	B02100	B0250BN	B0250NP	B0250RB	B0250WB
FINISH	CHROME PLATED	POLISHED BRASS	BRUSHED NICKEL	PEARL NICKEL	OIL RUBBED BRONZE	OLD WORLD BRONZE