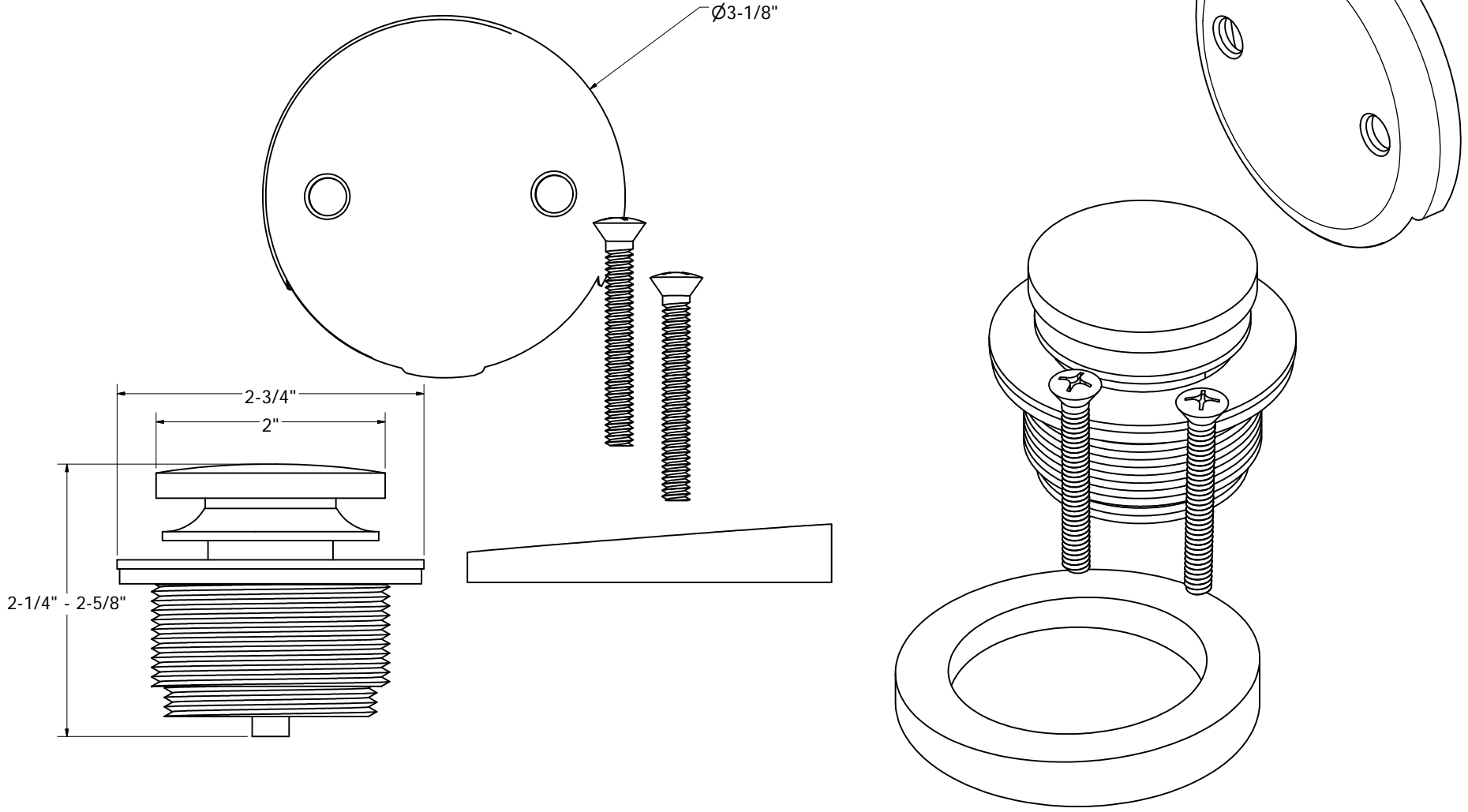


TOE TOUCH CONVERSION KIT



PHONE NUMBER
1-800-355-6637
 FAX NUMBER
1-800-462-6991
 SCALE 1.5 : 1 DATE 12-07-12
 SHEET
1 OF 1
 DRAWN BY
 ASHLEY KRALOVEC

PART NO.	B51007	B5156AP	B5156BB	B5156BN
# HOLES	2	2	2	2
FINISH	CHROME PLATED	ANTIQUPEWTER	BRUSHED BRONZE	BRUSHED NICKEL