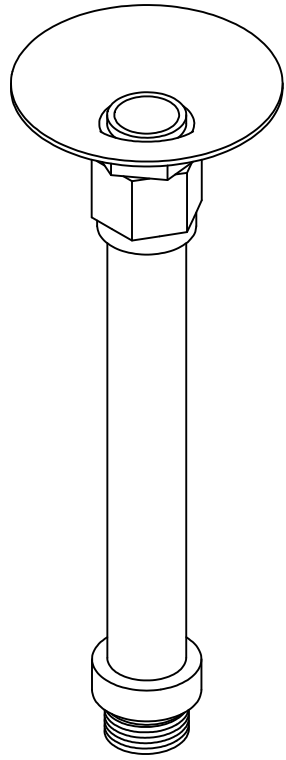
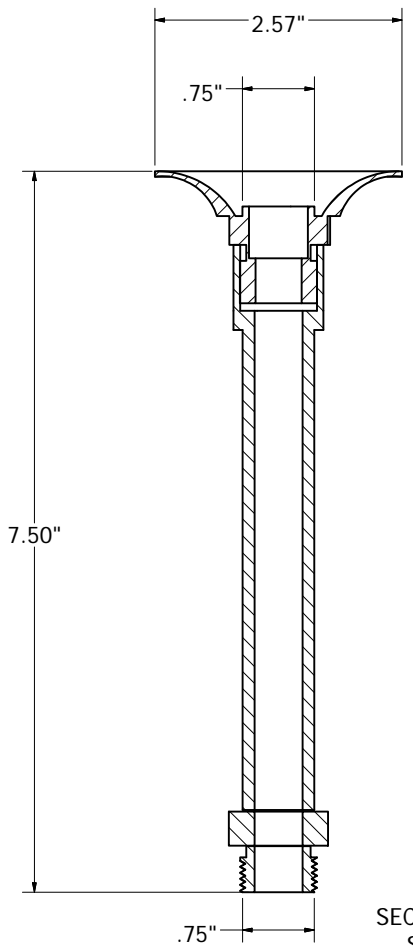
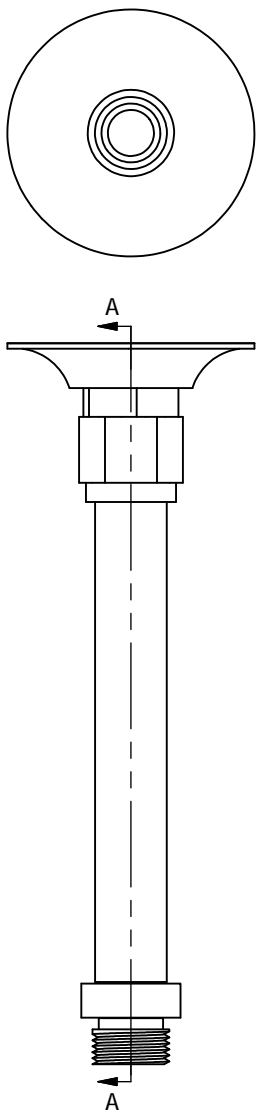


CEILING MOUNT SHOWER ARM 1/2" x 6"



SECTION A-A
SCALE 1



PHONE NUMBER
1-800-355-6637
FAX NUMBER
1-800-462-6991
SCALE 1.15 : 1 DATE 8-25-11
SHEET 1 OF 1
DRAWN BY
ASHLEY KRALOVEC

PART NO.	S01051	S01151	S0151BN	S0151NP	S0151RB	S0151WB
FINISH	CHROME PLATED	POLISHED BRASS (PVD)	BRUSHED NICKEL	PEARL NICKEL	OIL RUBBED BRONZE	OLD WORLD BRONZE