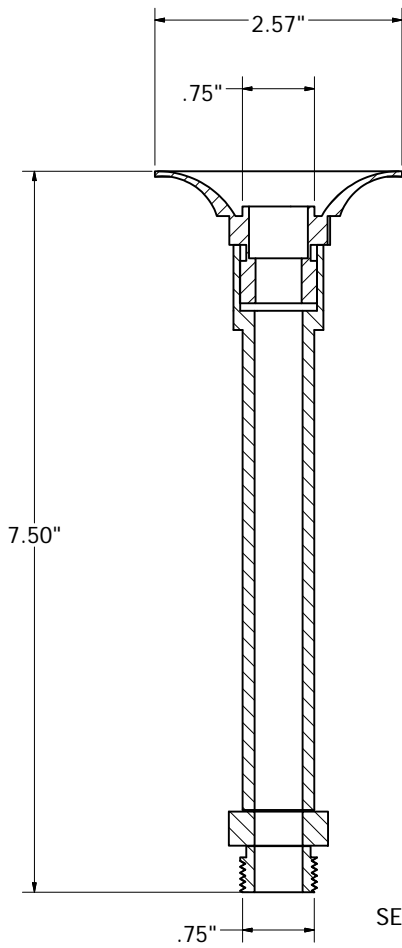
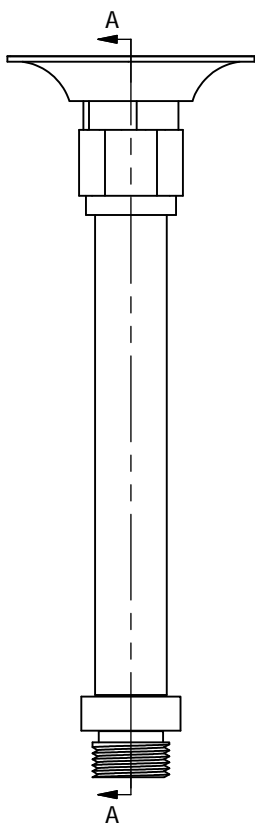
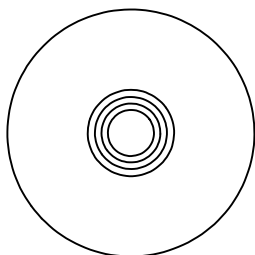
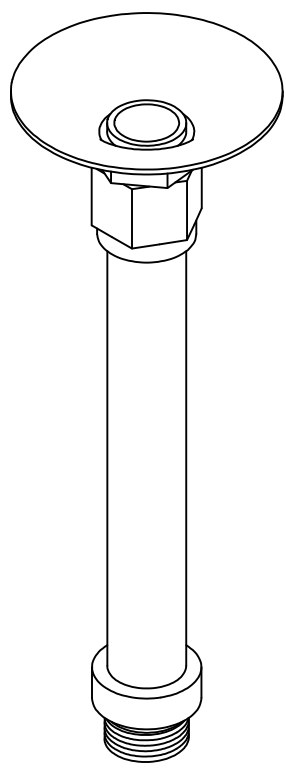


CEILING MOUNT SHOWER ARM 1/2" x 6"



SECTION A-A
SCALE 1



PHONE NUMBER
1-800-355-6637
FAX NUMBER
1-800-462-6991
SCALE 1.15 : 1 DATE 8-25-11
SHEET 1 OF 1
DRAWN BY
ASHLEY KRALOVEC

| | | | | | | |
|----------|---------------|----------------------|----------------|--------------|-------------------|------------------|
| PART NO. | S01051 | S01151 | S0151BN | S0151NP | S0151RB | S0151WB |
| FINISH | CHROME PLATED | POLISHED BRASS (PVD) | BRUSHED NICKEL | PEARL NICKEL | OIL RUBBED BRONZE | OLD WORLD BRONZE |
| | | | | | | |