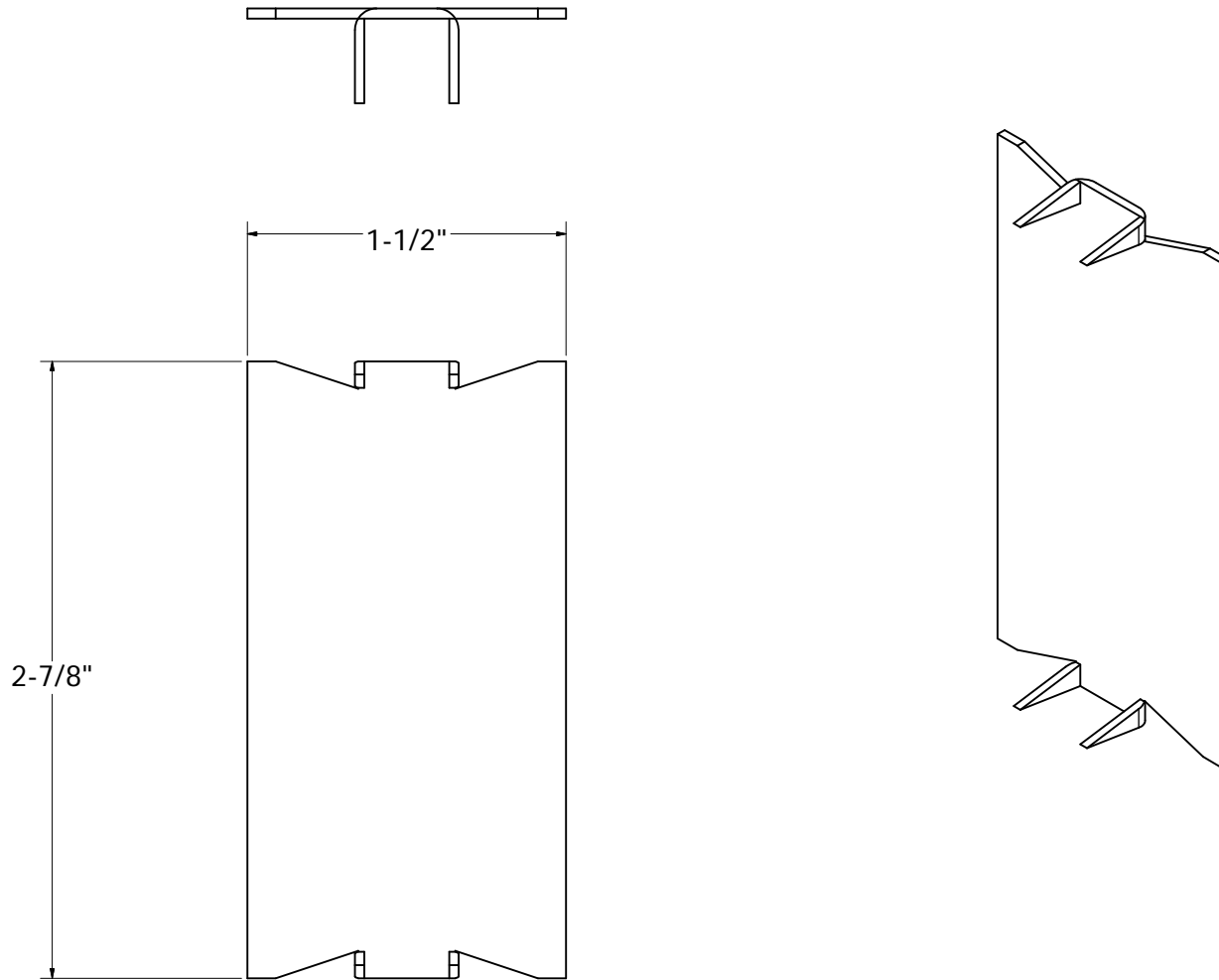


STUD PROTECTORS AND PLATE



PHONE NUMBER
1-800-355-6637
FAX NUMBER
1-800-462-6991
SCALE
2.25 : 1
DATE
5-16-2013
SHEET
1 OF 1
DRAWN BY
ASHLEY KRALOVEC

PART NO.	S33001	S33002
SIZE	1-1/2" X 6"	1-1/2" X 3"
GAUGE	18	18