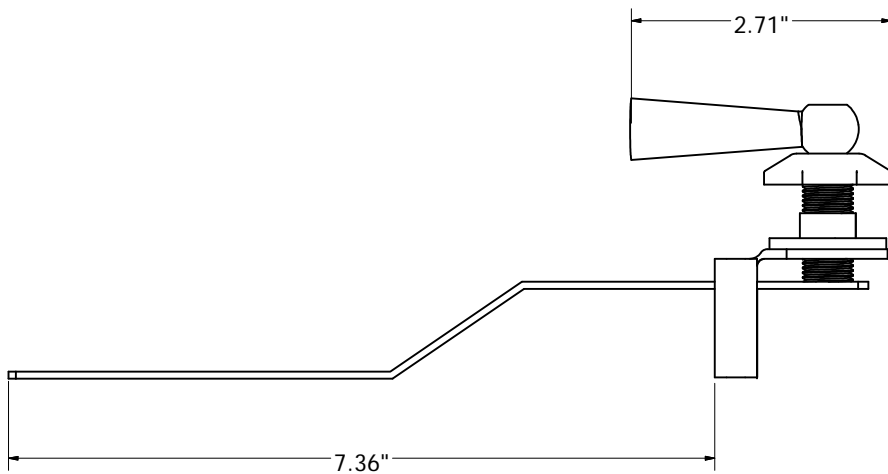
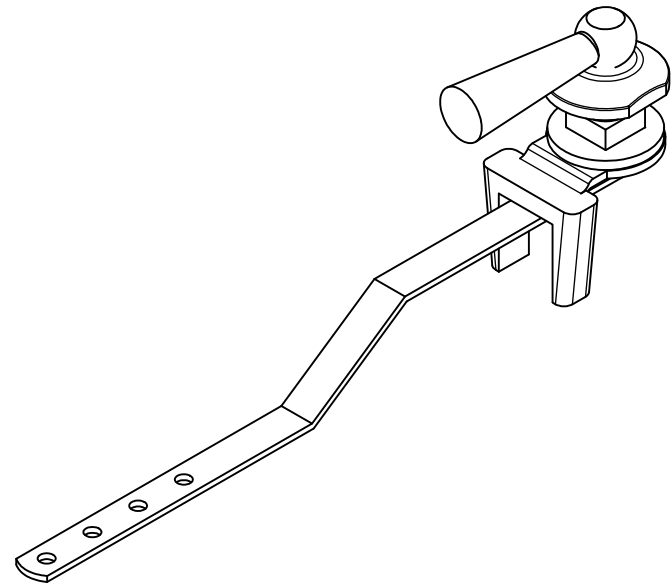
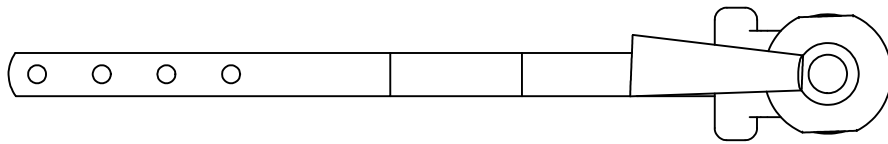


# UNIVERSAL DECORATIVE CLOSET FLUSH LEVER



PHONE NUMBER  
1-800-355-6637  
FAX NUMBER  
1-800-462-6991  
SCALE 1 : 1 DATE 8-19-11  
SHEET 1 OF 1  
DRAWN BY  
ASHLEY KRALOVEC

|          |               |              |              |              |                   |                  |
|----------|---------------|--------------|--------------|--------------|-------------------|------------------|
| PART NO. | T01000        | T0100BN      | T0100NP      | T0100PB      | T0100RB           | T0100WB          |
| FINISH   | CHROME PLATED | BRUSH NICKEL | PEARL NICKEL | POLISH BRASS | OIL RUBBED BRONZE | OLD WORLD BRONZE |
|          |               |              |              |              |                   |                  |