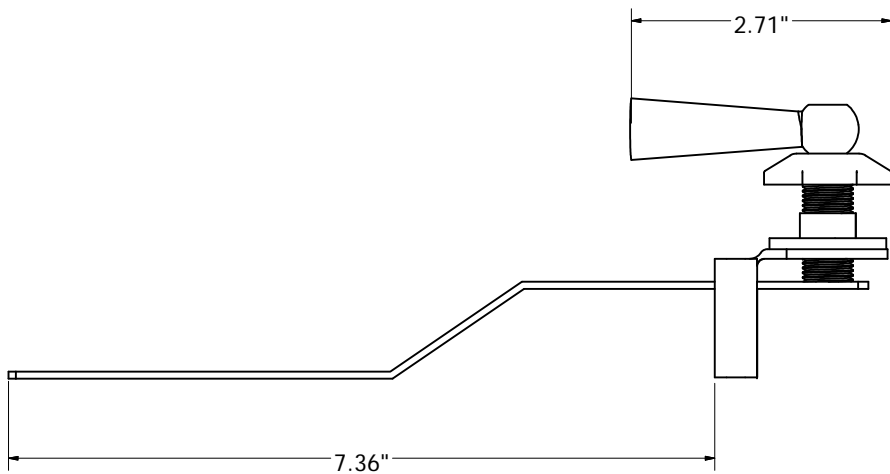
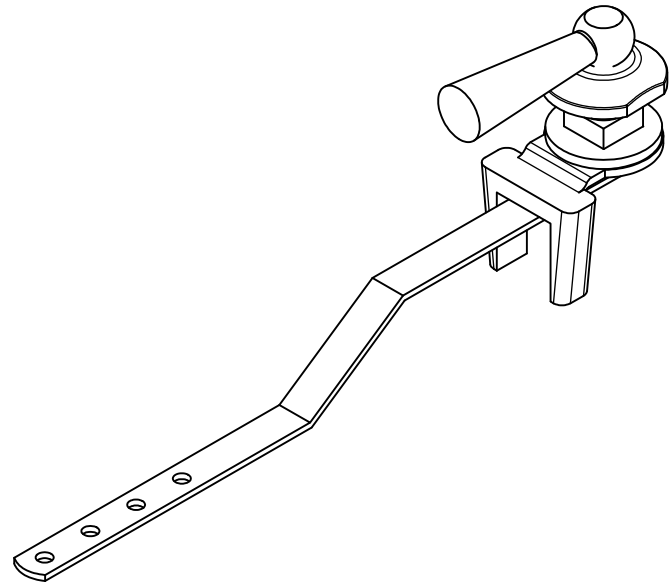
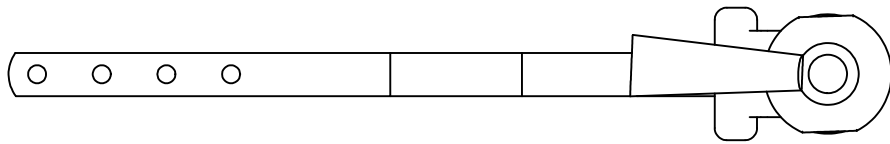


# UNIVERSAL DECORATIVE CLOSET FLUSH LEVER



PHONE NUMBER  
**1-800-355-6637**  
 FAX NUMBER  
**1-800-462-6991**  
 SCALE 1 : 1      DATE 8-19-11  
 SHEET  
**1 OF 1**  
 DRAWN BY  
**ASHLEY KRALOVEC**

PART NO.	T01000	T0100BN	T0100NP	T0100PB	T0100RB	T0100WB
FINISH	CHROME PLATED	BRUSH NICKEL	PEARL NICKEL	POLISH BRASS	OIL RUBBED BRONZE	OLD WORLD BRONZE