

Seat shall be Comfort™ Seats

Model Number C2B1E-18

Designer Wood Toilet Seat

Elongated Closed Front with Cover

Category

RESIDENTIAL

Features

- Solid oak construction - Dark Brown
- Finger joined and glued construction
- Dowel rod reinforced construction
- Eleven step finishing process
- Piano finish - fully sealed with 1 mil of high gloss polyurethane
- PVD - Non-corrosive hinge post and hardware
- Four color coordinated bumpers
- Anti-microbial agent added to sealer
- Made with American Red Oak

Seat Color/Finish

Specify Dark Brown with Piano Finish

Hinge Color/Finish

Specify hinges brass, brushed nickel or chrome

Product Specifications

Hinge Design: Polished brass, brushed nickel, chrome

Ring Thickness: 1"

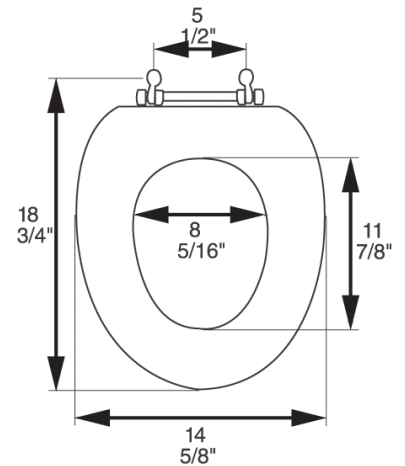
Ring Thickness with Bumper: 2 3/8"

Height of Seat with Cover: 2 3/4"

Size: ANSI Standard Toilet

Additional Information

Comfort™ Seats solid wood seat are crafted of specially selected hard wood and MDF. Our exclusive, durable finish prevents warping and cracking.



PVD Brass



PVD Brushed Nickel



Chrome

Note: No two seats are alike. Seats manufactured from natural woods may vary in color and grain arrangement due to the acceptance of stain and tree selection.