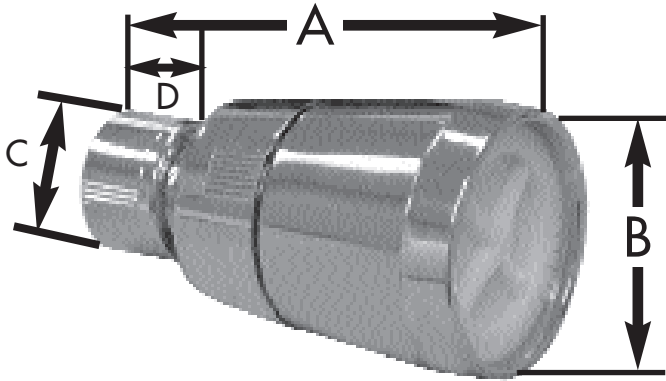


# SPECIFICATION SUBMITTAL SHEET

jones stephens corporation

## SHOWER HEAD



### PART NO. S01-001

#### features and benefits:

- 2.5 gpm flow rate

This product and others like it can be found in the Jones Stephens catalog. Call today to order your catalog or download it from our website: [www.plumbest.com](http://www.plumbest.com)

PART NO.	DESCRIPTION	A	B	C	D
□ S01-001	Plastic shower head	3 3/8"	1 3/4"	1/2" FIP	1/2"

jones stephens corporation  
3249 moody parkway • moody, alabama 35004  
toll free phone: 1-800-355-6637 • toll free fax: 1-800-462-6991  
[www.plumbest.com](http://www.plumbest.com)