

Wastewater

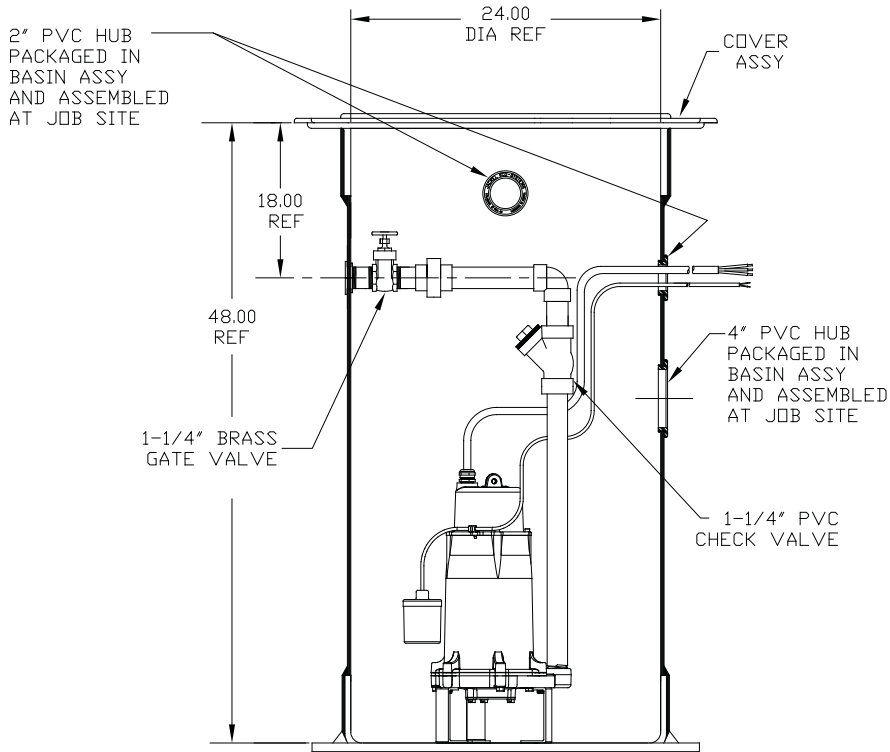
GP-SMPXFG-HP Package System



Features

- 2 HP GP Series sewage grinder pump
- Check valve
- 4" Adapt-a-flex inlet
- Basin is 24" x 48" heavy-duty fiberglass material
- Basin comes configured with hard pipe installation
- Cover is ribbed structural foam and green in color to blend with terrain
- 1-1/4" FNPT discharge flange factory installed

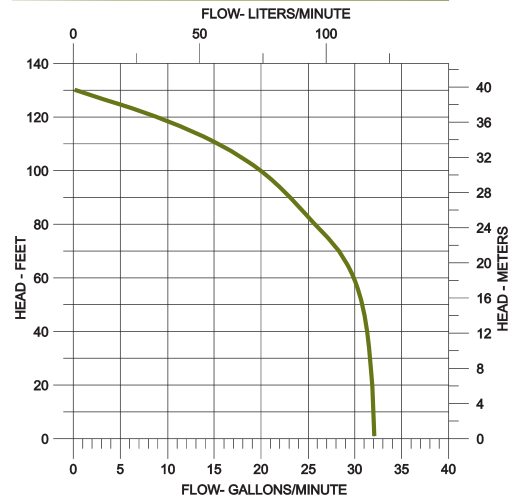
Dimensional Outline



Specifications

Item No	Model No	Pump Voltage	Basin Size (diameter x depth)	Basin Description	Basin Construction
520824	GP-SMPXFG-HP	230V	24" x 48"	BS2448FGHP	Fiberglass

Performance Curve



Franklin Electric

P.O. Box 12010
Oklahoma City, OK 73157-2010
Phone: 1.800.701.7894
Fax: 1.800.678.7867
www.LittleGiantPump.com

©2008 Franklin Electric Co., Inc.
Little Giant® is a registered trademark of Franklin Electric Co., Inc.
Form 995744 — 03/09