

Little GIANT®

1 SERIES



Features

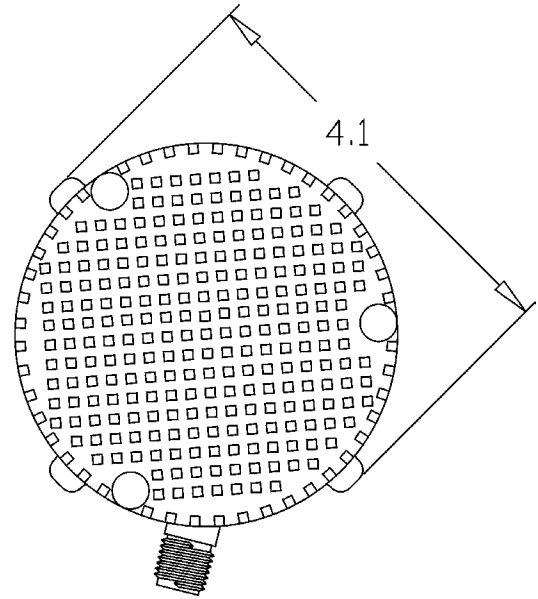
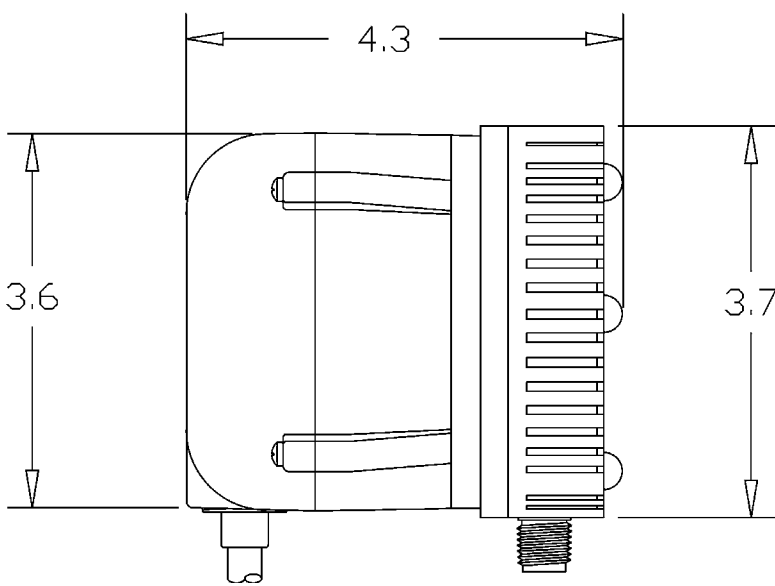
- Epoxy coated die-cast aluminum housing
- Oil-filled motor
- 7.4' maximum lift
- 70 watts
- 1/4" MNPT discharge
- Thermal overload protection (except 501003)
- For submersible use only

Construction

- Motor — 1/150 HP Oil Filled
- Intermittent Liquid Temp. up to — 120°F
- Intake — N/A
- Discharge — 1/4" MNPT
- Housing — Epoxy coated cast aluminum
- Cover — Epoxy coated cast aluminum
- Volute — Polypropylene
- Impeller — Polypropylene
- Shaft Seal — Nitrile
- Screen — Polypropylene

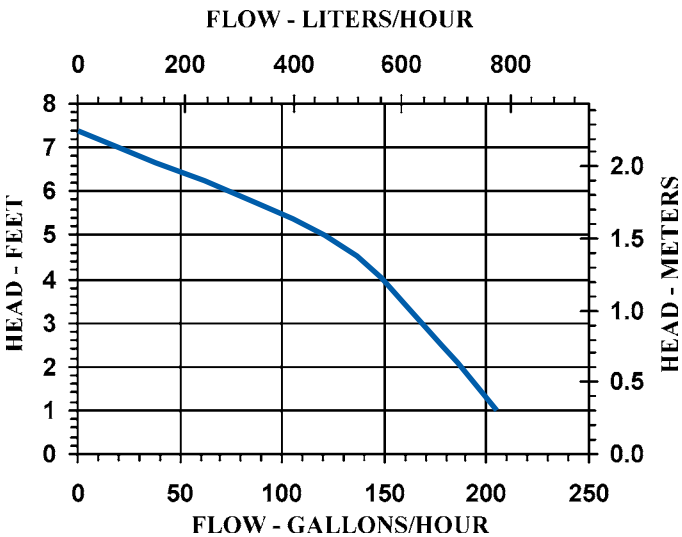
Small submersible oil-filled pump with epoxy coated cast aluminum housing. For commercial, industrial and home applications including statuary fountains, water displays, air conditioners, machine tool coolants, and many other applications where liquid must be transferred or recirculated. This compact 205 GPH pump features a 1/4" MNPT discharge, 7.4' shut-off head capability, and screened inlet.

1 SERIES



Specifications

Model No.	Item No.	Discharge Size	Listing	HP	Volts	Hertz	Amps	Watts	Performance (GPM@Head)			Shutoff		Cord Length (ft.)	Weight (lbs.)
									1'	3'	5'	Ft.	P.S.I.		
1	501003	1/4" MNPT	UL	1/150	115	60	1.1	70	205	168	120	7.4	3.2	6	3.5
1	501500	1/4" MNPT	—	1/150	127	60	1.1	70	205	168	120	7.4	3.2	6	3.5
1-T	501086	1/4" MNPT	UL/CSA	1/150	115	60	1.1	70	205	168	120	7.4	3.2	6	3.5
1-Y	501016	1/4" MNPT	UR	1/150	230	50/60	.6/4	70	205	168	120	7.4	3.2	6	3.5



Replacement Parts

Volute	101350
Impeller	101441
Screen	101901
Elbow	943070