

Little GIANT[®]

CVCI SERIES

FULL FLOW CAST IRON CHECK VALVES



Features

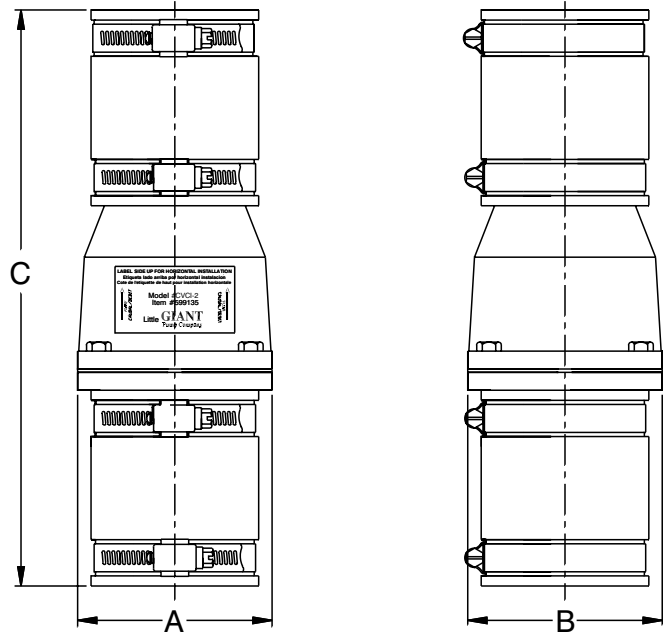
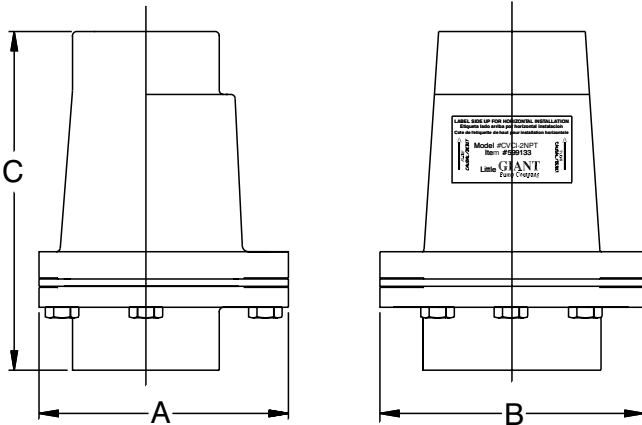
- 1-1/4", 1-1/2", 2" and 3" female NPT pipe
- 2" slip x slip
- Vertical or horizontal installation
- Unrestricted full flow design
- Cast iron body
- Stainless steel bolts
- Threaded check valves rated at 52 PSI (120' of head) at 130°F
- Slip x slip check valve rated at 5.0 PSI (11' of head) at 130°F
- Reinforced Buna-N[®] flapper

CVCI SERIES

FULL FLOW CAST IRON CHECK VALVES

SLIP x SLIP VALVES

THREADED VALVES



Specifications

Threaded Valves: (50 PSI, 115' of water, at 130°F)

Model No.	Item No.	Pipe Size	Dimensions			Weight (lbs.)
			A	B	C	
CVCI-114NPT	599131	1-1/4" NPT	4.68	4.96	6.36	10.5
CVCI-112NPT	599132	1-1/2" NPT	4.68	4.96	6.36	10.0
CVCI-2NPT	599133	2" NPT	5.39	5.51	6.95	13.0
CVCI-3NPT	599134	3" NPT	6.69	6.61	8.17	22.0

Slip x Slip Valves: (5.0 PSI, 11' of water, at 130°F)

Model No.	Item No.	Pipe Size	Dimensions			Weight (lbs.)
			A	B	C	
CVCI-2 (slip fit)	599135	2"	3.42	3.42	10.14	5.0



Little GIANT[®]
PO Box 12010 • Oklahoma City, OK 73157
Phone: 800.701.7894 • Fax: 800.701.8046
E-mail: customerservice@littlegiant.com