

## 2500 GPH Skimmer

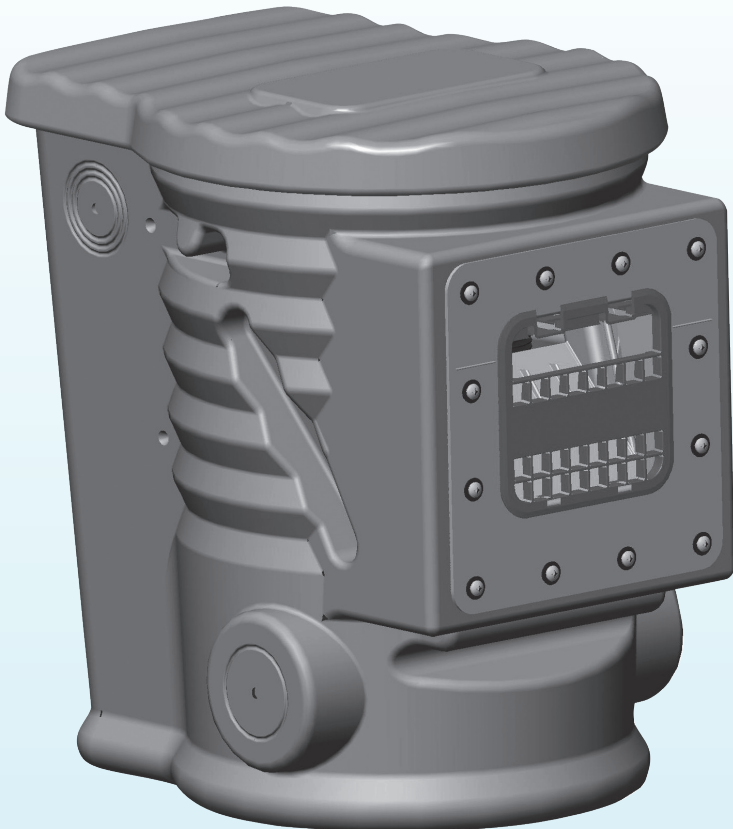


Our newest Little Giant pond skimmer from Franklin Electric makes installing and owning a water garden easier than ever. Our family of skimmers offer a convenient and effective way to reduce maintenance by removing surface debris. Ideal for new installs or remodeling an existing pond.

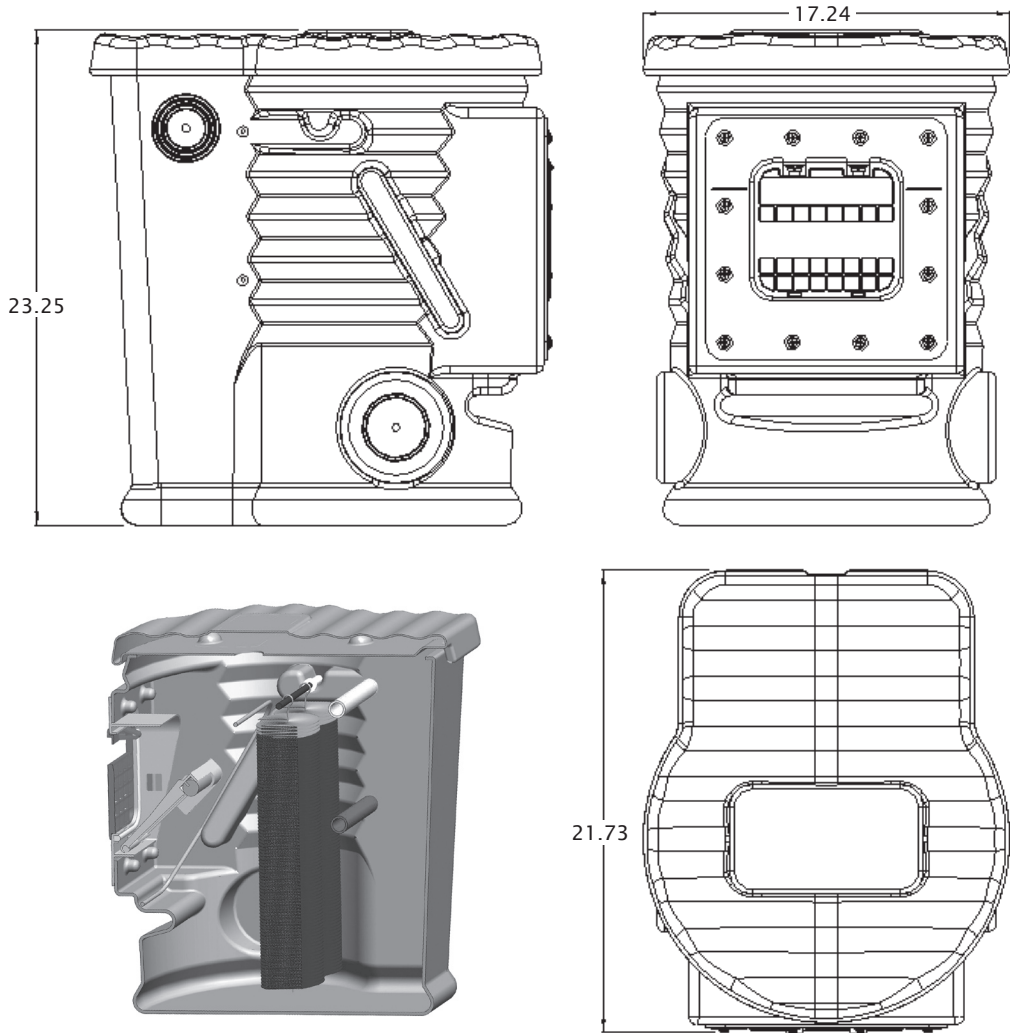
Install a skimmer in conjunction with one of our biological waterfall filters for a complete water garden system.

### Features/Benefits:

- **Lockable weir gate**  
Restricts water for easier maintenance
- **Bottom siphon port**  
Allows for complete water circulation
- **Circular, ridged wall design**  
Provides extra strength and in-ground anchoring
- **Molded drill-out ports on both sides**  
Flexible installation for new or existing ponds
- **Heavy duty net**  
Catches large debris
- **Easy to clean brushes**  
Catch smaller debris



**SPECIFICATIONS**



|                        |                 |
|------------------------|-----------------|
| <b>MODEL NUMBER</b>    | SK2.5           |
| <b>ITEM NUMBER</b>     | 566131          |
| <b>Width</b>           | 17.24"          |
| <b>Height</b>          | 23.25"          |
| <b>Length</b>          | 21.73"          |
| <b>Gate Width</b>      | 6.6"            |
| <b>Max GPH</b>         | 2,500           |
| <b>UPC Code</b>        | 0 10121 13383 9 |
| <b>Master Quantity</b> | 1               |