



Thermo Expansion Valves

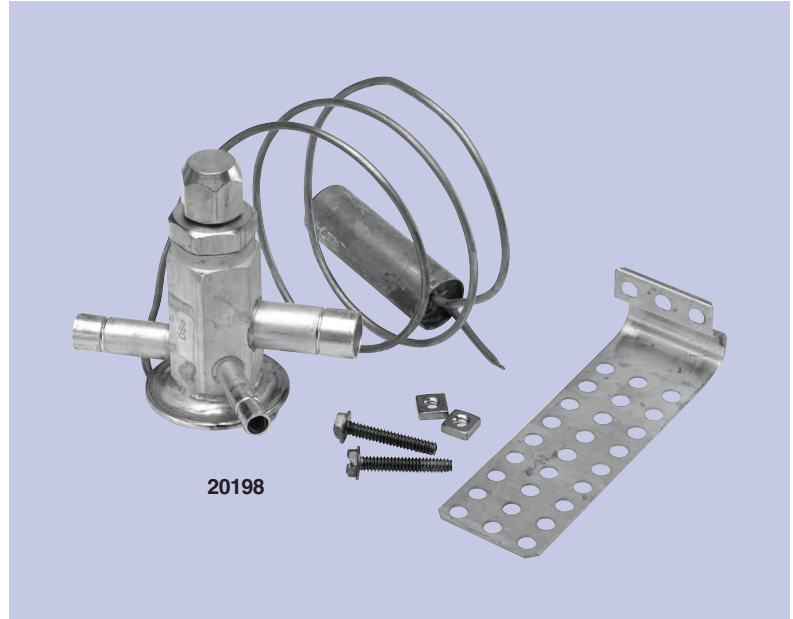
MARS SERIES **201**

MARS Thermo Expansion Valves

The MARS Thermo Expansion Valves are used for heat pump, air conditioning, food service and commercial applications. These valves incorporate a high stability charge designed for R-22 HVAC applications. The wide range charge provides greater superheat stability, allowing two valves to cover a wide range of capabilities from 1 to 5 tons. These thermo expansion valves allow the wholesaler to consolidate inventory by replacing several valves with the two wide range valves we offer.

Features & Benefits:

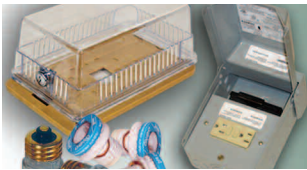
- Hermetic construction eliminates external leakage
- Compact size allows installation in limited spaces
- External equalizer
- Stainless steel power element eliminates corrosion and prevents valve failure
- Integral check valve
- Maximum working pressure 600 PSIG
- Designed for R-22 applications



20198

SERVICE & INSTALLATION

MARS NO.	MODEL NO.	CAPACITY	R-22 CAPACITY RANGE	CONNECTIONS	CAP. TUBE	CASE QTY.
20198	MXV2-1/2	2-1/2 Ton	1 – 3 Tons	3/8 x 1/2 ODF S/T	30"	12
20199	MXV5	5 Ton	1 – 5 Tons	3/8 x 1/2 ODF S/T	30"	12



Spun Copper Driers

MARS SERIES **201**

MARS Spun Copper Driers

The MARS Spun Copper Liquid Line Filter Driers are recommended for use in original equipment or replacement residential, air-conditioning or refrigeration equipment. These driers feature 100% molecular sieve for a high capacity of water retention. They provide 100 micron filtration. MARS Spun Copper driers are to be used with R-134A blends and systems with conventional refrigerants.



20101

MARS NO.	MODEL NO.	DESCRIPTION	CONNECTIONS TONS		CAPACITY TONS R-134A	CAPACITY DESICCANT R-22	LENGTH in GRAMS	OUTER in INCHES	DIAMETER
			INLET	OUTLET					
20101	MSCD-80	Std. Duty	1/4	CAP	1/3	1/2	10	9-5/8	5/8

