



Compact Suction Line Driers

MARS SERIES **201**

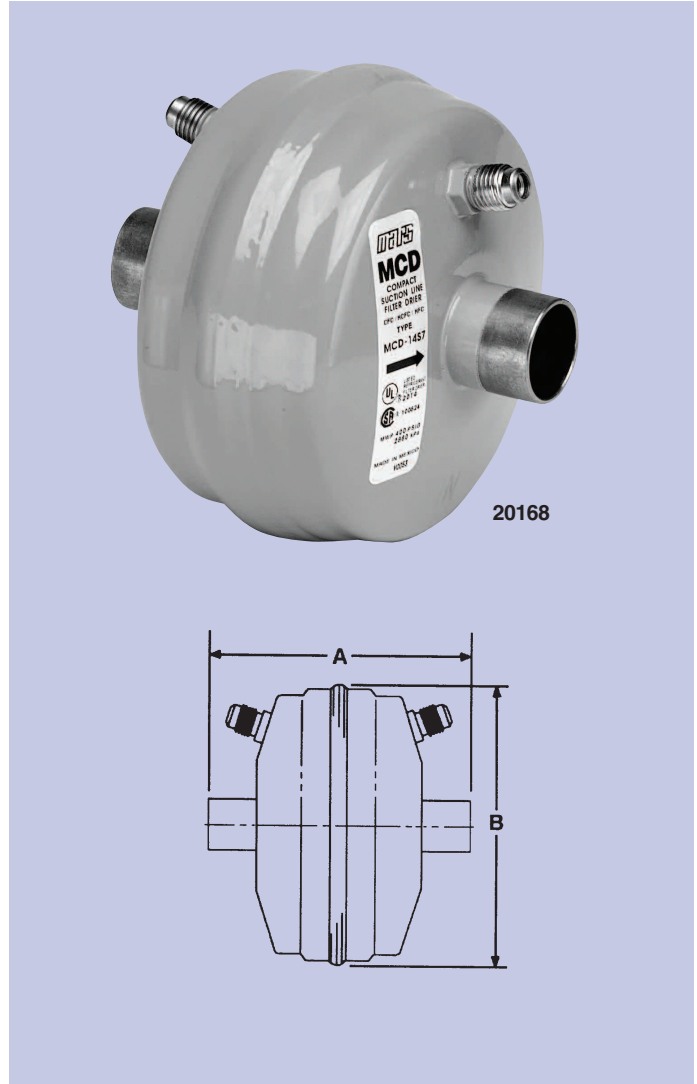
MARS compact suction line driers - flow capacities in refrigerant tons at selected evaporator temperatures

The MARS compact suction line driers are designed for use in air conditioning, heat pump, and refrigeration systems in which the available space in the suction line is limited. This is especially useful in heat pump systems where the drier must be placed between the reversing valve and the compressor. This compact suction drier should be used for motor burnout clean-up applications, and installed in remote systems with long refrigerant lines. The filter drier will collect and hold any dirt that is in the evaporator or suction line at start up.

The molded desiccant core block effectively removes and holds a maximum amount of contaminants with a minimum pressure drop. The binding material in the core protects the core from acid decomposition and allows it to collect and hold organic acids from a motor burnout. An inlet deflector, spreads the refrigerant flow evenly to prevent erosion and effectively uses the full filtration capacity of the filtering system.

Features & Benefits:

- For use on R134A, R12, R22, R500, R404A, R507, R502
- High organic & inorganic acid removal
- Dual access valves for accurate pressure drop readings
- Solid block desiccant core
- For use with HCFCs, CFCs and the lubricants that go with them
- Solid copper ODF fittings
- Corrosion resistant paint
- Maximum working pressure 302 PSIG
- Minimum burst pressure 1510 PSIG



SERVICE & INSTALLATION

MARS NO.	MODEL NO.	SIZE & TYPE	DIMENSION		+40°F	+20°F	0°F	-20°F	+40°F	+20°F	0°F	-20°F	-40°F	+40°F	+20°F	0°F	-20°F	-40°F
					R-134A				R-22				R-502					
					Pressure Drop In P.S.I.				Pressure Drop In P.S.I.				Pressure Drop In P.S.I.					
A	B	2	1.5	1	0.5	3	2	1.5	1	0.5	3	2	1.5	1	0.5			
20167	MCD-14S6	3/4 ODF	4.37	4.57	3.1	2.1	1.3	0.7	4.9	3.2	2.2	1.4	0.7	3.6	2.3	1.5	0.9	0.5
20168	MCD-14S7	7/8 ODF	4.55	4.57	3.3	2.2	1.4	0.7	5.2	3.4	2.3	1.5	0.8	3.6	2.3	1.5	0.9	0.5