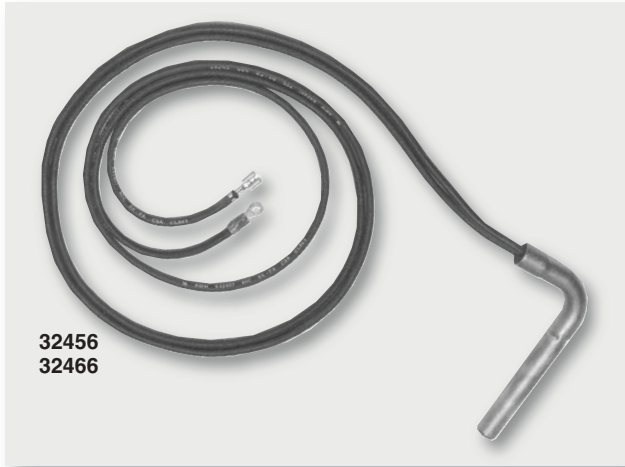




Crankcase Heaters

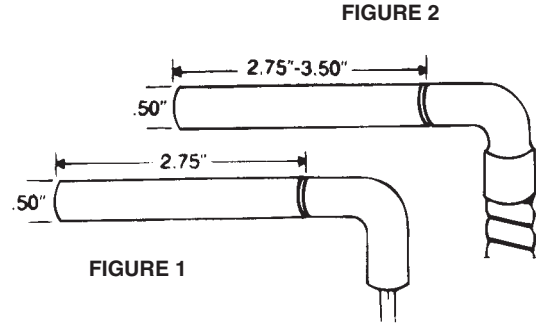
MARS SERIES **324**

COMPONENT



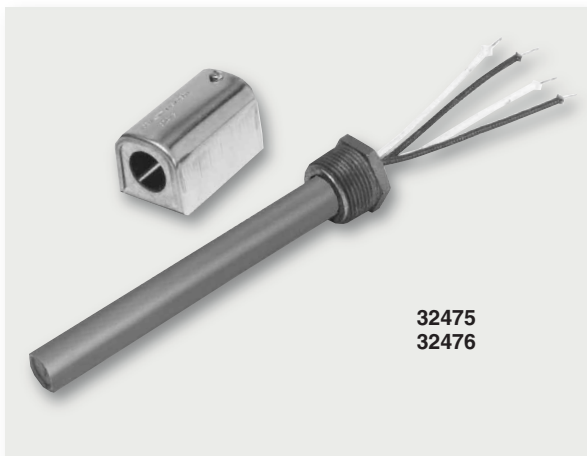
32456
32466

Direct Replacement Crankcase Heaters for Carrier



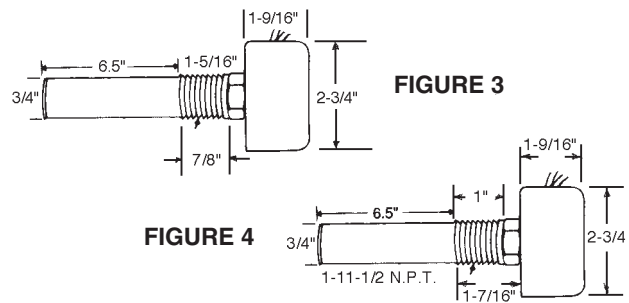
Crankcase Heaters for Carrier

MARS NO.	CARRIER NO.	WATTS	VOLTS	HEATER LENGTH IN.	LEAD LENGTH IN.	FIGURE	COMPRESSOR MODEL
32452	HT36DL172	125	120	2.75	25	2	
32456	HT36ES363	75	120	2.75	36.5	1	AB:AC:AD:38AA
32458	HT36FS364	75	120	2.75	52	2	AB:AC:AD:38AA
32460	HT36NS377	75	120	2.75	88	2	EB:30EA:30HH:30HJ:48DD:50DD
32462	HT36NS477	75	230	2.75	88	2	6D:06D
32464	HT36FS474	75	240	2.75	52	2	EM:6D:06D
32466	HT36XS575	75	240	2.75	36	1	
32468	HT36FL463	125	240	2.75	49	2	
32472	HT36FL379	125	120	2.75	60	2	EM:06DM:306B:50EQ
32474	HT36FL479	125	240	2.75	68	2	EM:06DM:30HR:30HS



32475
32476

One-On-One™ Crankcase Heaters



MARS NO.	OEM	OEM NO.	WATTS	VOLTS	LENGTH	DIA.	FIGURE
32475	Trane	661A-16093-12-4-C*	100	115/230	6 1/2"	3/4"	4
32476	Trane	661A-13881-12-4-C*	75	115/230	6 1/2"	3/4"	3
32478	Trane	X13140729-01	140	115/230	11"	3/4"	4

