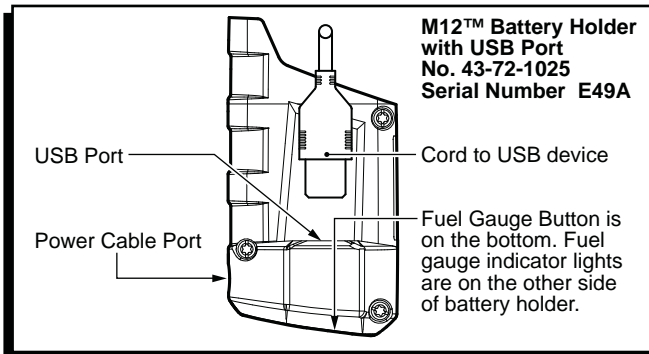
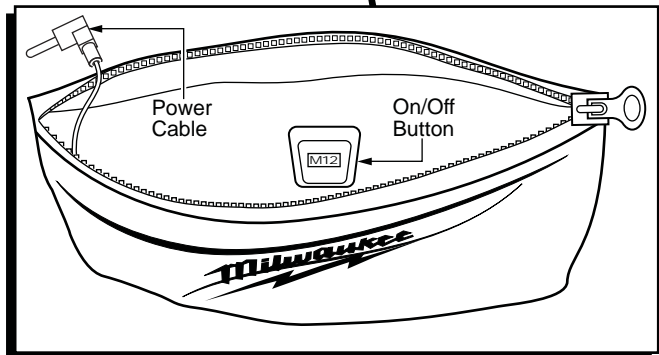
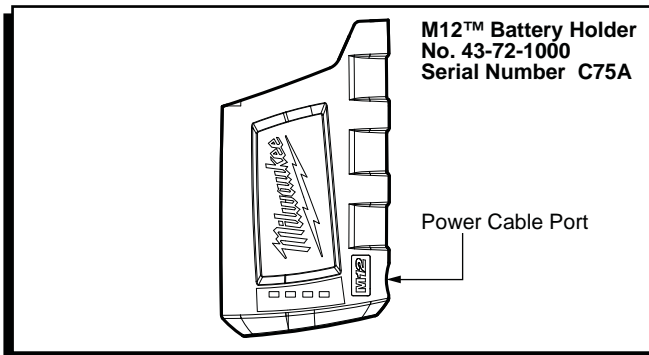
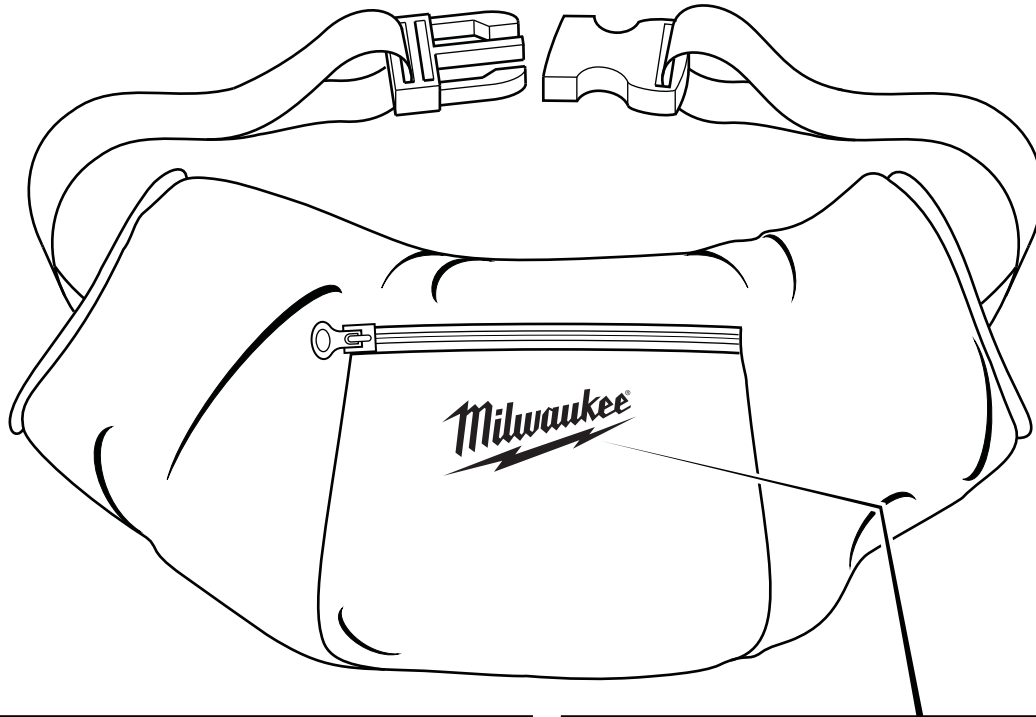




SERVICE PARTS LIST

BULLETIN NO.
54-07-2415

SPECIFY CATALOG NO. AND SERIAL NO. WHEN ORDERING PARTS		REVISED BULLETIN	DATE
M12™ HEATED HAND WARMER			Apr. 2013
CATALOG NO. 2321-20 M12™ Heated Hand Warmer - Camouflage			
2322-20 M12™ Heated Hand Warmer - Black			



NOTE:

Both the Compact M12 battery pack and XC M12 battery pack can be used in the two battery holders. Both battery holders are interchangeable with all hand warmers.

43-72-1000 Battery Holder

FIG.	PART NO.	DESCRIPTION OF PART	NO. REQ.
1	43-72-1000	Battery Holder	(1)
2	12-20-2330	Service Nameplate - Battery Holder	(1)
3	10-20-2318	Warning Label - Battery Holder	(1)

43-72-1025 Battery Holder

FIG.	PART NO.	DESCRIPTION OF PART	NO. REQ.
1	43-72-1025	Battery Holder	(1)
2	12-20-1025	Service Nameplate - Battery Holder	(1)
3	10-20-1028	Warning Label - Battery Holder	(1)

FIG. NOTES

2, 3

A clean, dry surface is essential for proper performance for any adhesive system. The area intended for application of any adhesive label or nameplate must be prepared by cleaning with isopropyl alcohol. The solvent is to be applied with a clean, lint free applicator and the surface allowed to dry before applying the label or name plate.

MILWAUKEE ELECTRIC TOOL CORPORATION
13135 W. LISBON RD., BROOKFIELD, WI 53005