



ENGINEERING EXCELLENCE

Americana Series #2AM501

SPECIFICATION SHEET

DESCRIPTION

- Two Handle Kitchen Bridge Faucet
- Metal Lever Handles
- Spout Swivel 360°
- 8-11/16" Reach, 9-7/16" from Deck to Aerator
- Ceramic Disc Cartridges
- 4-Hole 8" Installation
- Side Spray Assembly

FINISHES

- PC PVD Polished Chrome
- BN PVD Brushed Nickel
- SS PVD Stainless Steel
- PN PVD Polished Nickel
- PB PVD Polished Brass
- GR PVD Golden Rose
- ORB Oil Rubbed Bronze
- TB PVD Tuscany Bronze



#2AM501 SHOWN * ADA 

STANDARDS APPLICABLE

- ASME A112.18.1
- ANSI A117.1
- ANSI / NSF 61, SECTION 9
- CUPC / IAPMO LISTED / ADA COMPLIANT
- CONTAINS NO MORE THAN 0.25% WEIGHTED AVERAGE LEAD CONTENT

FLOW

- Aerator Limited to 1.5 GPM

Model #: _____

Specific Features: _____

Project Name: _____

Submitted For: _____

Model	Description	Finishes
#2AM501	Two Handle Kitchen Bridge Faucet	<input type="checkbox"/> PC <input type="checkbox"/> Other _____



ENGINEERING EXCELLENCE

Pioneer: 1-800-338-9468
 Commerce, CA 90040
 www.pioneerind.com
 Pioneer Industries, Inc. © 2013

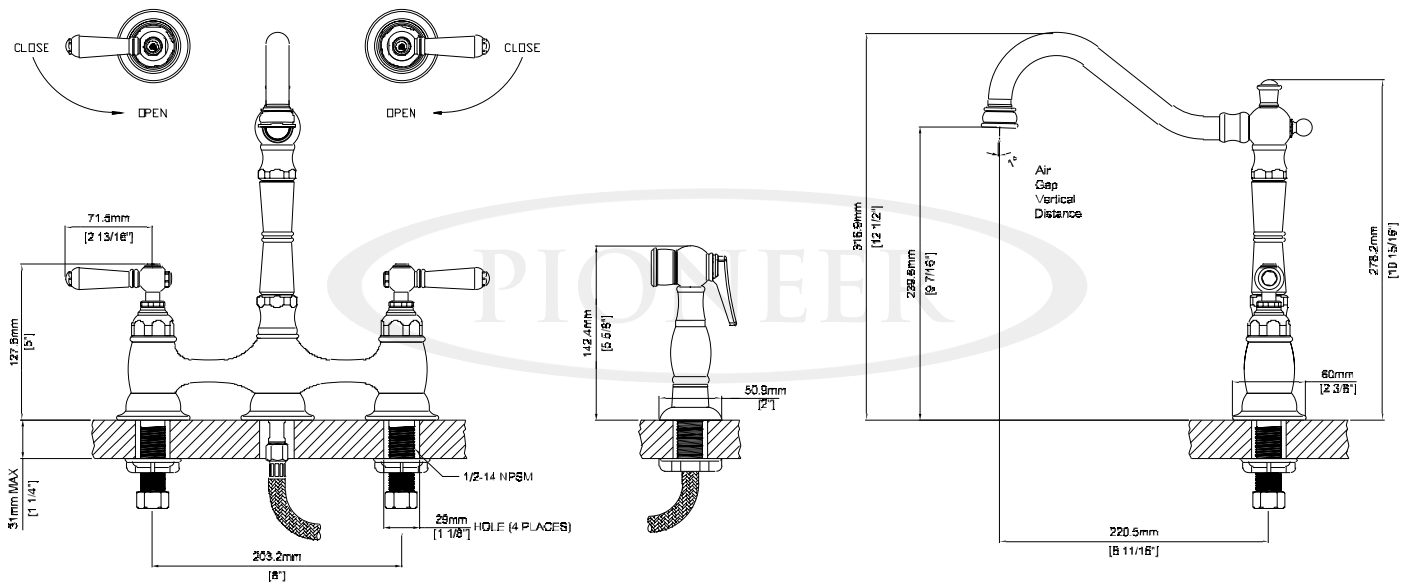
DMSP2AM501/REV. 12 2012

Page 1 of 2

Installation Note:

Faucet Hole Size:- 1-1/2"

Maximum Deck Thickness:- 1-1/4"



Product Diagram



ENGINEERING EXCELLENCE

Pioneer:1-800-338-9468

Commerce, CA 90040

www.pioneerind.com

Pioneer Industries, Inc. © 2013