



ENGINEERING EXCELLENCE

Brentwood Series #4BR230T

PARTS BREAKDOWN SHEET

DESCRIPTION

- Single Handle Tub Trim Set
- Beaux Lever Handle
- Ceramic Disc Cartridge with Temperature Limit Stop
- Combo 1/2" IPS/Slip-On Tub Spout
- Tub Spout Escutcheon
- Color Match Sleeve and Retaining Ring

FINISHES

- PC PVD Polished Chrome
- BN PVD Brushed Nickel
- PN PVD Polished Nickel
- PB PVD Polished Brass
- ORB Oil Rubbed Bronze



#4BR230T SHOWN * ADA 

STANDARDS APPLICABLE

- ASME A112.18.1
- ANSI A117.1
- CUPC / IAPMO LISTED / ADA COMPLIANT

Model #: _____

Specific Features: _____

Project Name: _____

Submitted For: _____

Model	Description	Finishes
#4BR230T	Single Handle Tub Trim Set	<input type="checkbox"/> PC <input type="checkbox"/> Other__
Required Valve		
#4020B	Single Handle Tub and Shower-Valve Set Only	<input type="checkbox"/> N/A



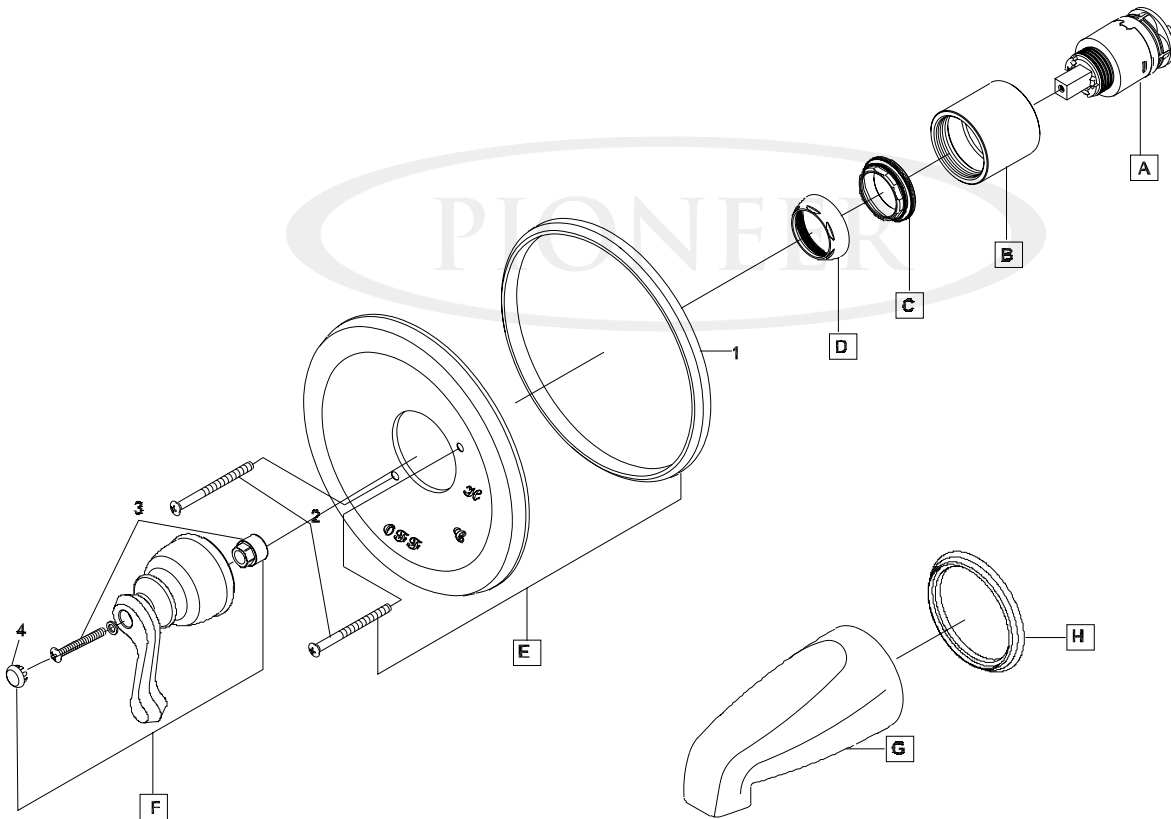
ENGINEERING EXCELLENCE

Pioneer:1-800-338-9468
 Commerce, CA 90040
 www.pioneerind.com
 Pioneer Industries, Inc. © 2013

DMPB4BR230T/REV. 12 2012
 Page 1 of 2

	ITEM#	DESCRIPTION
A	X-3400007	Ceramic Disc Cartridge
B	X-4400030*	Sleeve
C	X-4400080	Lock Nut
D	X-4200001*	Retainer Cap
E	X-6400061*	Face Plate
F	X-1400033*	Beaux Lever Handle
G	X-6400017*	Tube Spout
H	X-4400002*	Spout Escutcheon
1	X-4400057	Rubber Gasket
2	X-4400062*	Face Plate Screws
3	X-4400083	Handle Adapter
4	X-4900042P*	Button-Plain

* Note- Please specify finish\color code while ordering.



Product Diagram



ENGINEERING EXCELLENCE

Pioneer:1-800-338-9468
 Commerce, CA 90040
 www.pioneerind.com
 Pioneer Industries, Inc. © 2013