



# ENGINEERING EXCELLENCE

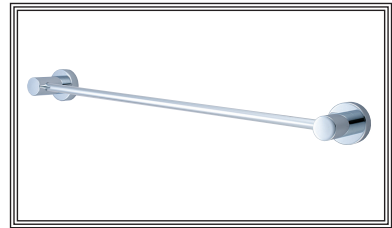
## Motegi Series #7MT030 PARTS BREAKDOWN SHEET

### DESCRIPTION

- Towel Bar
- 24" Long
- Brass Mount
- Concealed Screw Installation
- Mounting Hardware

### FINISHES

- PC PVD Polished Chrome
- BN PVD Brushed Nickel
- PB PVD Polished Brass
- PN PVD Polished Nickel
- SS PVD Stainless Steel
- ORB Oil Rubbed Bronze



#7MT030 SHOWN

Model #: \_\_\_\_\_

Specific Features: \_\_\_\_\_

Project Name: \_\_\_\_\_

Submitted For: \_\_\_\_\_

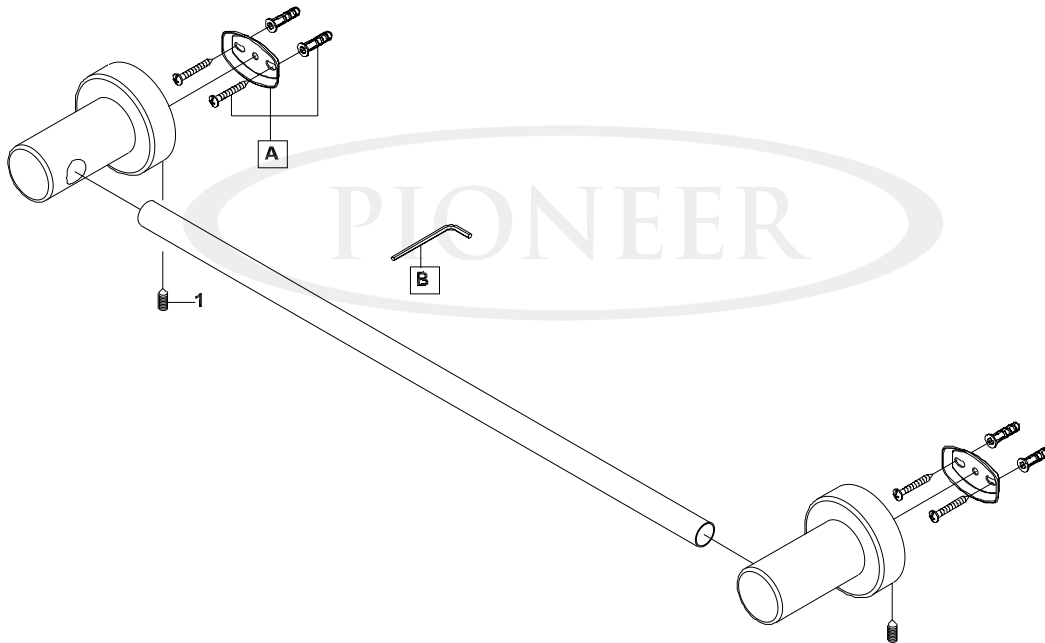
Model	Description	Finishes
#7MT030	Towel Bar	<input type="checkbox"/> PC <input type="checkbox"/> Other ____



ENGINEERING EXCELLENCE

Pioneer: 1-800-338-9468  
 Commerce, CA 90040  
 www.pioneerind.com  
 Pioneer Industries, Inc. © 2012

	ITEM#	DESCRIPTION
A	X-5600001	Mounting Kit
B	X-4900024	Allen Wrench
1	X-4600002	Mounting Screw



Product Diagram



ENGINEERING EXCELLENCE

Pioneer: 1-800-338-9468  
 Commerce, CA 90040  
 www.pioneerind.com  
 Pioneer Industries, Inc. © 2012