



ENGINEERING EXCELLENCE

Motegi Series #4MT110T PARTS BREAKDOWN SHEET

DESCRIPTION

- Single Handle Tub and Shower Trim Set
- Metal Lever Handle
- Ceramic Disc Cartridge with Temperature Limit Stop
- Five Function 3" Diameter Showerhead
- Shower Arm and Flange
- 1/2" IPS Diverter Tub Spout
- 7-1/4" Spout Reach
- Color Match Sleeve and Retaining Ring

FINISHES

- PC PVD Polished Chrome
- BN PVD Brushed Nickel
- PB PVD Polished Brass
- PN PVD Polished Nickel
- SS PVD Stainless Steel



#4MT110T SHOWN \* ADA

STANDARDS APPLICABLE

- ASME A112.18.1
- ANSI A117.1
- CUPC / IAPMO LISTED /ADA COMPLIANT

FLOW

- Showerhead Limited to 2.5 GPM Flow Rate

Model #: \_\_\_\_\_

Specific Features: \_\_\_\_\_

Project Name: \_\_\_\_\_

Submitted For: \_\_\_\_\_

Model	Description	Finishes	
#4MT110T	Single Handle Tub and Shower Trim Set	<input type="checkbox"/> PC	<input type="checkbox"/> Other ____
#4MT400T	Single Handle Valve Trim Set	<input type="checkbox"/> PC	<input type="checkbox"/> Other
Required Valve			
#4020B	Single Handle Tub and Shower Valve Set	<input type="checkbox"/> N/A	



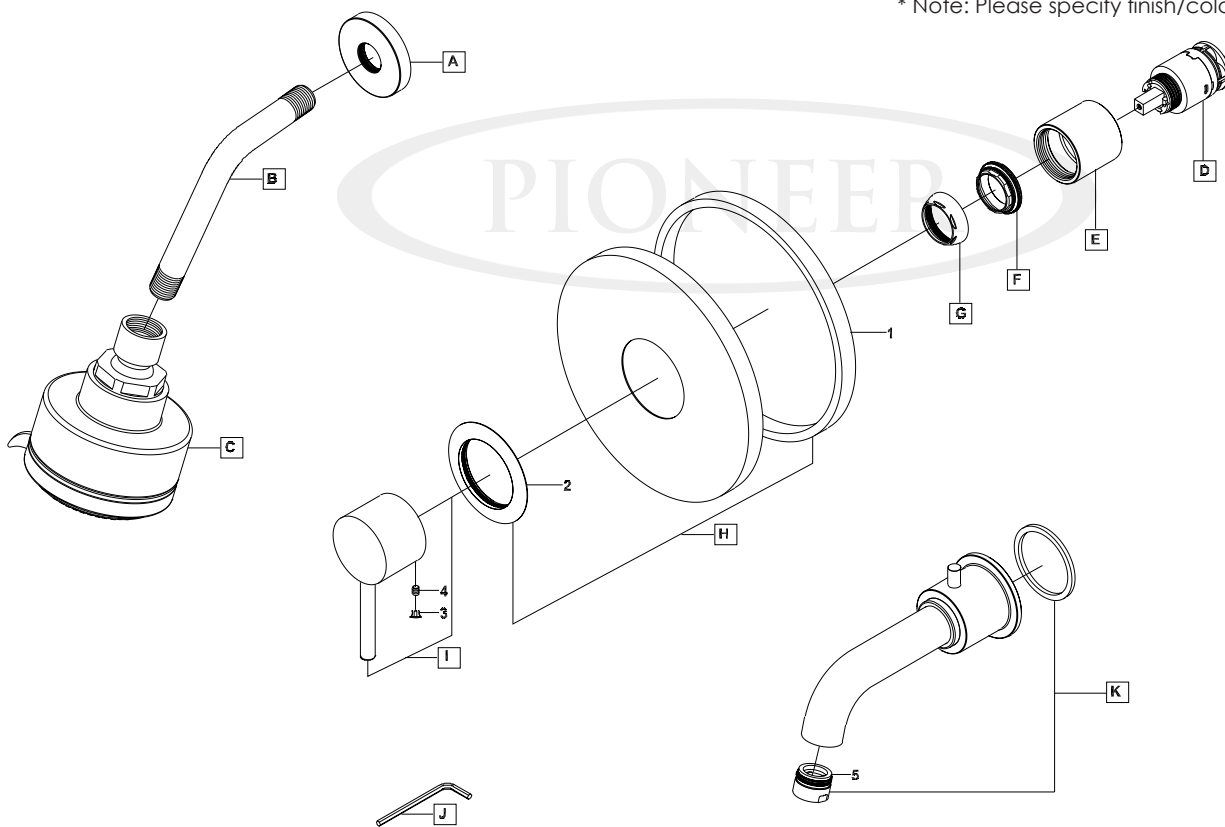
ENGINEERING EXCELLENCE

Pioneer:1-800-338-9468  
 Commerce, CA 90040  
 www.pioneerind.com  
 Pioneer Industries, Inc. © 2013

DMPB4MT110T/REV. 12 2012  
 Page 1 of 2

	ITEM#	DESCRIPTION
A	X-6400011*	Shower Arm Flange
B	X-6400002*	Shower Arm
C	X-6400010*	Motegi 2.5 GPM Showerhead
D	X-3400007	Ceramic Cartridge
E	X-4400030*	Sleeve
F	X-4400080	Lock Nut
G	X-4200001*	Retainer Cap
H	X-4400043*	Face Plate
I	X-1400028*	Motegi Handle
J	X-4900024	3/32" Allen Wrench
K	X-6400051*	Diverter Tub Spout
1	X-4400044	Rubber Gasket
2	X-4400045*	Face Plate Flange
3	X-4900044*	Hole Cover
4	X-4900080	3/32" Allen Screw
5	X-4400042*	Flow Streamer

\* Note: Please specify finish/color when ordering.



Product Diagram



ENGINEERING EXCELLENCE

Pioneer: 1-800-338-9468  
 Commerce, CA 90040  
 www.pioneerind.com  
 Pioneer Industries, Inc. © 2013