



# ENGINEERING EXCELLENCE

## Cabrillo Series #3CB200

## PARTS BREAKDOWN SHEET

### DESCRIPTION

- Two Handle Lavatory Wide-spread Faucet
- Metal Handles
- Rigid Spout
- 5-1/8" Reach, 4-3/4" from Deck to Aerator
- Ceramic Disc Cartridges
- 3-Hole 6" to 16" Installation
- Brass Pop-Up Drain Assembly

### FINISHES

- PC PVD Polished Chrome
- BN PVD Brushed Nickel
- SS PVD Stainless Steel
- PN PVD Polished Nickel



#3CB200 SHOWN \* ADA 

### STANDARDS APPLICABLE

- ASME A112.18.1
- ANSI A117.1
- ANSI / NSF 61, SECTION 9
- CUPC / IAPMO LISTED / ADA COMPLIANT
- CONTAINS NO MORE THAN 0.25% WEIGHTED AVERAGE LEAD CONTENT

### FLOW

- Aerator Limited to 1.5 GPM



Model #: \_\_\_\_\_

Specific Features: \_\_\_\_\_

Project Name: \_\_\_\_\_

Submitted For: \_\_\_\_\_

Model	Description	Finishes	
#3CB200	Two Handle Lavatory Widespread Faucet	<input type="checkbox"/> PC	<input type="checkbox"/> Other__



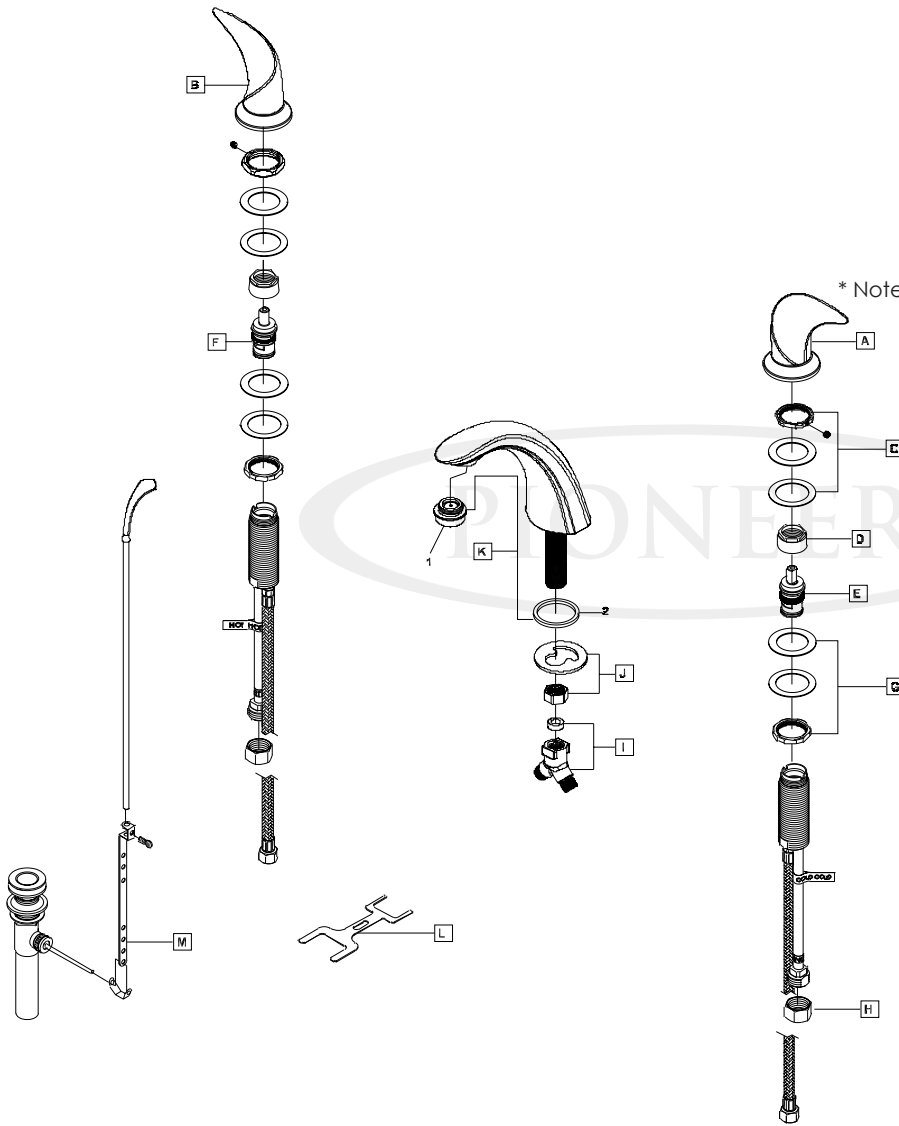
ENGINEERING EXCELLENCE

Pioneer:1-800-338-9468  
 Commerce, CA 90040  
 www.pioneerind.com  
 Pioneer Industries, Inc. © 2013

DMPB3CB200/REV. 12 2012  
 Page 1 of 2

	ITEM#	DESCRIPTION
A	X-1900015C*	Cabrillo Handle-Cold
B	X-1900015H*	Cabrillo Handle-Hot
C	X-5900004	Valve Mounting Kit
D	X-4900022	Bonnet Nut
E	X-3900002C	Ceramic Stem - Cold
F	X-3900002H	Ceramic Stem - Hot
G	X-5900005	Valve Mounting Kit
H	X-4900004	Supply Nut
I	X-4300011	'Y' Connector
J	X-5300003	Spout Mounting Kit
K	X-2300012*	Spout
L	X-4900078	Mounting Tool
M	X-6300016*	Brass Pop-Up Drain Assembly
1	X-4300056*	1.5 GPM Aerator
2	X-4300054	Gasket

\* Note- Please specify finish/color code while ordering.



Product Diagram



ENGINEERING EXCELLENCE

Pioneer: 1-800-338-9468  
 Commerce, CA 90040  
 www.pioneerind.com  
 Pioneer Industries, Inc. © 2013