



# ENGINEERING EXCELLENCE

**Brentwood Series #4BR130T**

**PARTS BREAKDOWN SHEET**

### DESCRIPTION

- Single Handle Tub and Shower Trim Set
- Beaux Lever Handle
- Ceramic Disc Cartridge with Temperature Limit Stop
- Dual Function 2-1/2" Diameter Showerhead
- Shower Arm and Flange
- Combo 1/2" IPS/Slip-On Diverter Tub Spout
- Tub Spout Escutcheon
- Color Match Sleeve and Retaining Ring

### FINISHES

- PC PVD Polished Chrome
- BN PVD Brushed Nickel
- PN PVD Polished Nickel
- PB PVD Polished Brass
- ORB Oil Rubbed Bronze



#4BR130T SHOWN \* ADA 

### STANDARDS APPLICABLE

- ASME A112.18.1
- ANSI A117.1
- CUPC / IAPMO LISTED / ADA COMPLIANT

### FLOW

- Showerhead Limited to 2.5 GPM

Model #: \_\_\_\_\_

Specific Features: \_\_\_\_\_

Project Name: \_\_\_\_\_

Submitted For: \_\_\_\_\_

Model	Description	Finishes	
#4BR130T	Single Handle Tub and Shower Trim Set	<input type="checkbox"/> PC	<input type="checkbox"/> Other__
#4BR430T	Single Handle Valve Trim Set	<input type="checkbox"/> PC	<input type="checkbox"/> Other__
Required Valve			
#4020B	Single Handle Tub and Shower-Valve Set Only	<input type="checkbox"/> N/A	



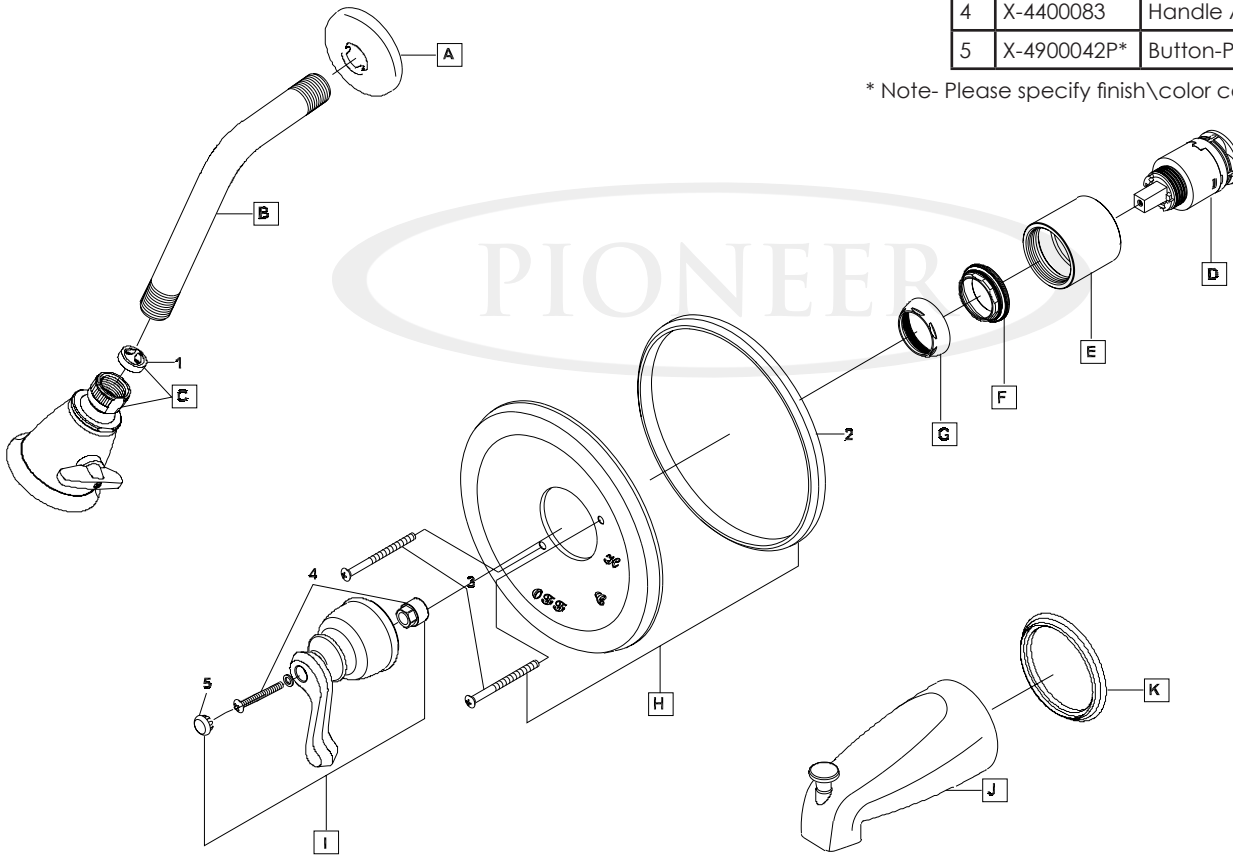
ENGINEERING EXCELLENCE

Pioneer:1-800-338-9468  
 Commerce, CA 90040  
 www.pioneerind.com  
 Pioneer Industries, Inc. © 2013

DMPB4BR130T/REV. 12 2012  
 Page 1 of 2

	ITEM#	DESCRIPTION
A	X-6400015*	Shower Arm Flange
B	X-6400002*	Shower Arm
C	X-6400014*	Showerhead
D	X-3400007	Ceramic Disc Cartridge
E	X-4400030*	Sleeve
F	X-4400080	Lock Nut
G	X-4200001*	Retainer Cap
H	X-6400061*	Face Plate
I	X-1400033*	Beaux Lever Handle
J	X-6400016*	Diverter Tub Spout
K	X-4400002*	Spout Escutcheon
1	X-4400054	Showerhead Restrictor
2	X-4400057	Rubber Gasket
3	X-4400062*	Face Plate Screws
4	X-4400083	Handle Adapter
5	X-4900042P*	Button-Plain

\* Note- Please specify finish\color code while ordering.



Product Diagram



ENGINEERING EXCELLENCE

Pioneer:1-800-338-9468  
 Commerce, CA 90040  
 www.pioneerind.com  
 Pioneer Industries, Inc. © 2013