



ENGINEERING EXCELLENCE

Americana Series #2AM400

PARTS BREAKDOWN SHEET

DESCRIPTION

- Two Handle Kitchen Faucet
- Metal Lever Handles
- Spout Swivel 360 °
- 8-11/16" Reach, 10-1/4" from Deck to Aerator
- Ceramic Disc Cartridges
- 1-Hole Installation
- Decorative Escutcheon

FINISHES

- PC PVD Polished Chrome
- BN PVD Brushed Nickel
- SS PVD Stainless Steel
- PN PVD Polished Nickel
- PB PVD Polished Brass
- GR PVD Golden Rose
- ORB Oil Rubbed Bronze
- TB PVD Tuscany Bronze



#2AM400 SHOWN * ADA 

STANDARDS APPLICABLE

- ASME A112.18.1
- ANSI A117.1
- ANSI / NSF 61, SECTION 9
- CUPC / IAPMO LISTED / ADA COMPLIANT
- CONTAINS NO MORE THAN 0.25% WEIGHTED AVERAGE LEAD CONTENT

FLOW

- Aerator Limited to 1.5 GPM

Model #: _____

Specific Features: _____

Project Name: _____

Submitted For: _____

Model	Description	Finishes
#2AM400	Two Handle Kitchen Faucet	<input type="checkbox"/> PC <input type="checkbox"/> Other _____

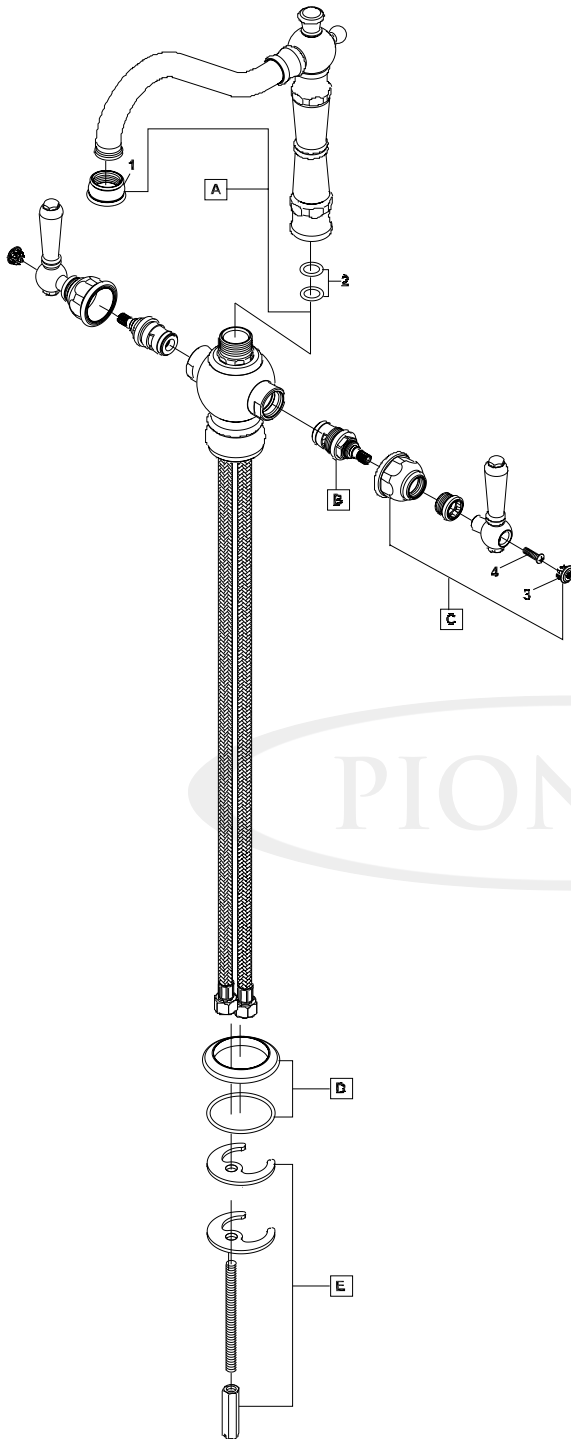


ENGINEERING EXCELLENCE

Pioneer:1-800-338-9468
 Commerce, CA 90040
 www.pioneerind.com
 Pioneer Industries, Inc. © 2013

DMPB2AM400/REV. 12 2012

Page 1 of 2



	ITEM#	DESCRIPTION
A	X-2200012*	Americana Spout
B	X-3200004C,H	Ceramic Cartridge-Cold,Hot
C	X-1200007C,H*	Lever Handle-Cold,Hot
D	X-4200062*	Escutcheon
E	X-5900002	Mounting Kit
1	X-4900091*	1.5 GPM Aerator
2	X-4900012	Spout O-Rings
3	X-4900042C,H*	Button-Cold, Hot
4	X-4900043	Handle Screw

* Note- Please specify finish/color code while ordering.

Product Diagram



ENGINEERING EXCELLENCE

Pioneer:1-800-338-9468
 Commerce, CA 90040
 www.pioneerind.com
 Pioneer Industries, Inc. © 2013