



ENGINEERING EXCELLENCE

Americana Series #7AM032

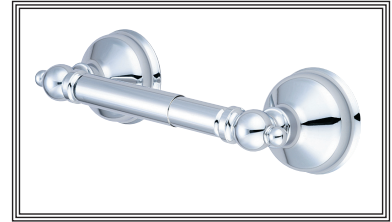
SPECIFICATION SHEET

DESCRIPTION

- Toilet Tissue Holder
- Brass Mount
- Concealed Screw Installation
- Mounting Hardware

FINISHES

- PC PVD Polished Chrome
- BN PVD Brushed Nickel
- SS PVD Stainless Steel
- PN PVD Polished Nickel
- PB PVD Polished Brass
- GR PVD Golden Rose
- ORB Oil Rubbed Bronze
- TB PVD Tuscany Bronze



#7AM032 SHOWN

Model #: _____

Specific Features: _____

Project Name: _____

Submitted For: _____

Model	Description	Finishes
#7AM032	Toilet Tissue Holder	<input type="checkbox"/> PC <input type="checkbox"/> Other ____



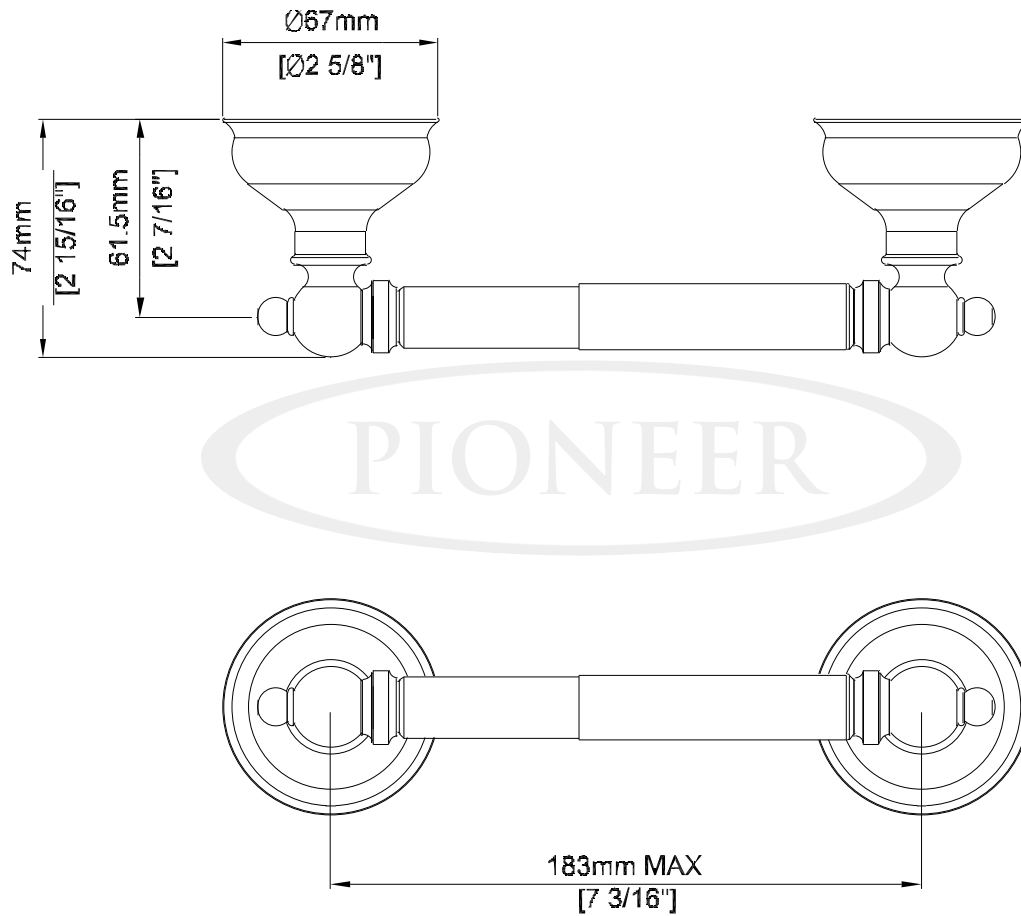
ENGINEERING EXCELLENCE

Pioneer:1-800-338-9468
 Commerce, CA 90040
 www.pioneerind.com
 Pioneer Industries, Inc. © 2013

DMSP7AM032/REV. 12 2012
 Page 1 of 2

Installation Note:

Please refer to the Installation Guide for complete installation instructions



Product Diagram



ENGINEERING EXCELLENCE

Pioneer: 1-800-338-9468
 Commerce, CA 90040
 www.pioneerind.com
 Pioneer Industries, Inc. © 2013