



# ENGINEERING EXCELLENCE

## Motegi Series #3MT400

## PARTS BREAKDOWN SHEET

### DESCRIPTION

- Two Handle Lavatory Wide-spread Faucet
- Metal Lever Handles
- Gooseneck Spout Swivel 90°
- 5-1/2" Reach, 7" from Deck to Aerator
- Ceramic Disc Cartridges
- 3-Hole 6" to 16" Installation
- Brass Pop-Up Drain Assembly

### FINISHES

- PC PVD Polished Chrome
- BN PVD Brushed Nickel
- SS PVD Stainless Steel
- PN PVD Polished Nickel
- PB PVD Polished Brass



#3MT400 SHOWN \* ADA 

### STANDARDS APPLICABLE

- ASME A112.18.1
- ANSI A117.1
- ANSI / NSF 61, SECTION 9
- CUPC / IAPMO LISTED / ADA COMPLIANT
- CONTAINS NO MORE THAN 0.25% WEIGHTED AVERAGE LEAD CONTENT

### FLOW

- Aerator Limited to 1.5 GPM



Model #: \_\_\_\_\_

Specific Features: \_\_\_\_\_

Project Name: \_\_\_\_\_

Submitted For: \_\_\_\_\_

Model	Description	Finishes	
#3MT400	Two Handle Lavatory Widespread Faucet	<input type="checkbox"/> PC	<input type="checkbox"/> Other__



ENGINEERING EXCELLENCE

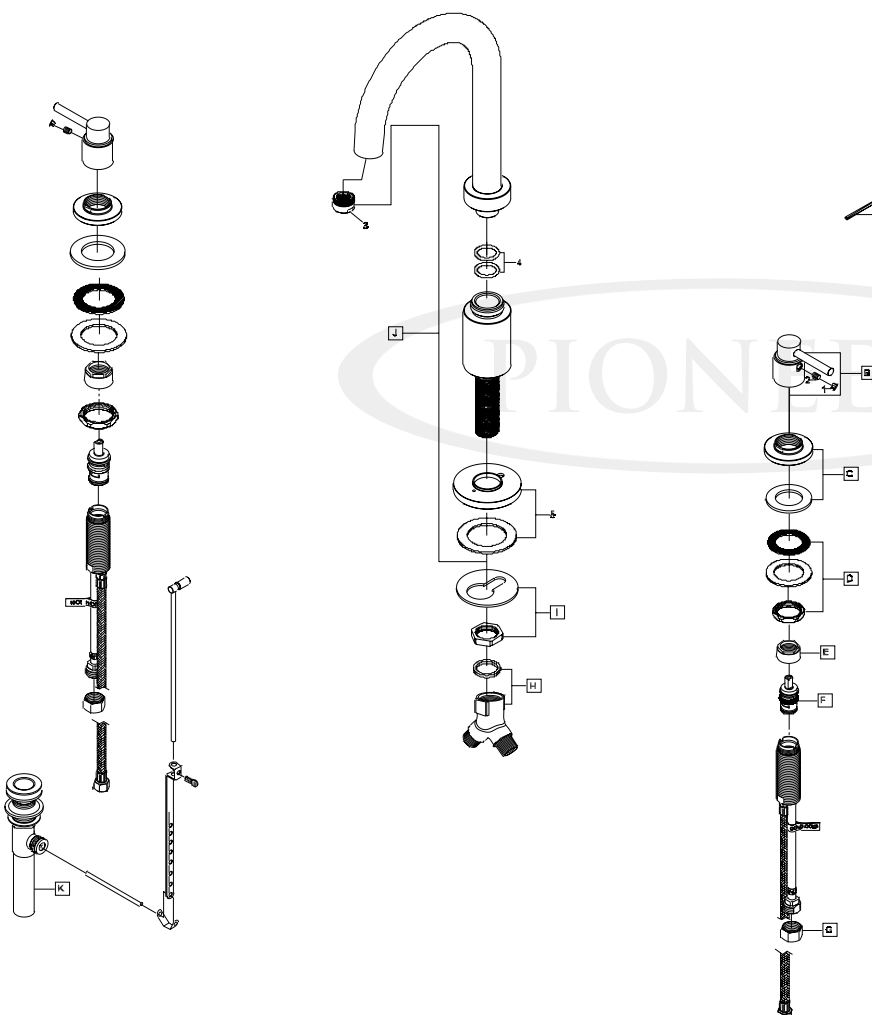
Pioneer:1-800-338-9468  
 Commerce, CA 90040  
 www.pioneerind.com  
 Pioneer Industries, Inc. © 2013

DMPB3MT400/REV. 12 2012

Page 1 of 2

	ITEM#	DESCRIPTION
A	X-4900024	3/32" Allen Wrench
B	X-1300006*	Motegi Lever Handle
C	X-4200068*	Valve Escutcheon
D	X-5900001	Valve Mounting Kit
E	X-4900022	Bonnet Nut
F	X-3900002C,H	Ceramic Cartridge-Cold,Hot
G	X-4900004	Supply Nut
H	X-4900020	'Y' Connector
I	X-5300009	Spout Mounting Kit
J	X-2300004*	Motegi Spout
K	X-4300043*	Brass Pop-Up Drain Assembly
1	X-4900044*	Hole Cover
2	X-4900002	3/32" Allen Screw
3	X-4900089*	1.5 GPM Aerator
4	X-4900012	Spout O-Ring
5	X-4300025*	Spout Escutcheon

\* Note: Please specify finish/color when ordering.



Product Diagram



ENGINEERING EXCELLENCE

Pioneer: 1-800-338-9468  
 Commerce, CA 90040  
 www.pioneerind.com  
 Pioneer Industries, Inc. © 2013