



# ENGINEERING EXCELLENCE

Legacy Series #3LG160

SPECIFICATION SHEET

### DESCRIPTION

- Single Handle Lavatory Faucet
- Metal Lever Handle
- 4-5/8" Reach, 1-7/8" From Deck to Aerator
- Ceramic Disc Cartridge with Temperature Limit Stop
- 3-Hole 4" Installation
- Brass Pop-Up Drain Assembly

### FINISHES

- PC PVD Polished Chrome
- SS PVD Stainless Steel
- BN PVD Brushed Nickel
- PB PVD Polished Brass
- ORB Oil Rubbed Bronze



#3LG160 SHOWN \* ADA



### STANDARDS APPLICABLE

- ASME A112.18.1
- ANSI A117.1
- ANSI / NSF 61, SECTION 9
- CUPC / IAPMO LISTED / ADA COMPLIANT
- CONTAINS NO MORE THAN 0.25% WEIGHTED AVERAGE LEAD CONTENT

### FLOW

- Aerator Limited to 1.5 GPM



Model #: \_\_\_\_\_

Specific Features: \_\_\_\_\_

Project Name: \_\_\_\_\_

Submitted For: \_\_\_\_\_

| Model    | Description   | Finishes                    |                                   |
|----------|---|-----------------------------|-----------------------------------|
| #3LG160  | Single Handle Lavatory Faucet                           | <input type="checkbox"/> PC | <input type="checkbox"/> Other___ |
| #3LG160B | Single Handle Lavatory Faucet-Builder Tract Pack        | <input type="checkbox"/> PC | <input type="checkbox"/> Other___ |
| #3LG161  | Single Handle Lavatory Faucet- Less Pop-UP Drain        | <input type="checkbox"/> PC | <input type="checkbox"/> Other___ |
| #3LG161G | Single Handle Lavatory Faucet- With Grid Drain Assembly | <input type="checkbox"/> PC | <input type="checkbox"/> Other___ |



ENGINEERING EXCELLENCE

Pioneer: 1-800-338-9468  
 Commerce, CA 90040  
 www.pioneerind.com  
 Pioneer Industries, Inc. © 2013

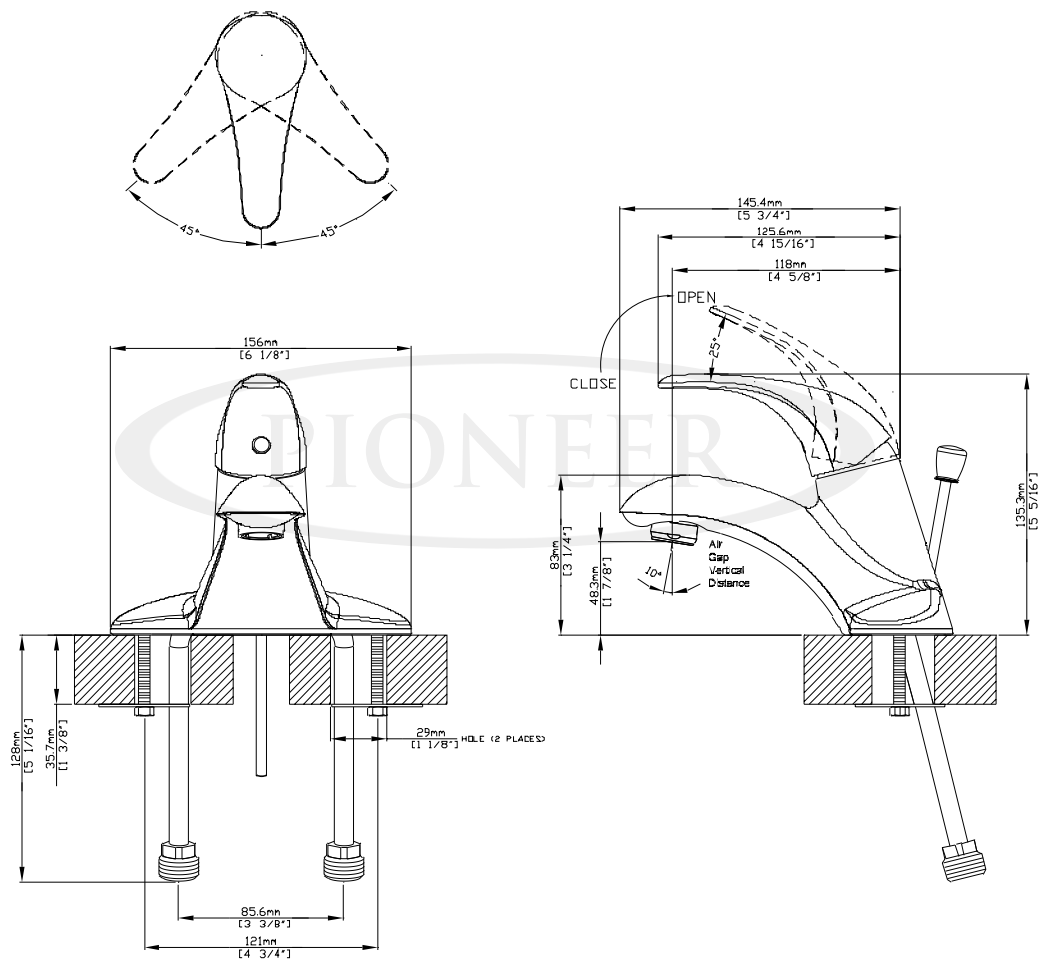
DMSP3LG160/REV. 12 2012

Page 1 of 2

**Installation Note:**

Faucet Hole Size :- 1-1/4"

Maximum Deck Thickness:- 1-3/8"



**Product Diagram**



ENGINEERING EXCELLENCE

Pioneer: 1-800-338-9468

Commerce, CA 90040

www.pioneerind.com

Pioneer Industries, Inc. © 2013