



ENGINEERING EXCELLENCE

Caesar Collection #6CS101T

SPECIFICATION SHEET

DESCRIPTION

- Single Handle Diverter Trim Set
- Metal Lever Handle
- Diverter Valve Face Plate
- Diverter Valve Sleeve

FINISHES

- PC PVD Polished Chrome
- BN PVD Brushed Nickel
- SS PVD Stainless Steel
- PN PVD Polished Nickel
- GR PVD Golden Rose



#6CS101T SHOWN * ADA 

STANDARDS APPLICABLE

- ASME A112.18.1
- ADA COMPLIANT

Model #: _____

Specific Features: _____

Project Name: _____

Submitted For: _____

Model	Description	Finishes
#6CS101T	Single Handle Diverter Trim Set	<input type="checkbox"/> PC <input type="checkbox"/> Other____
Required Valve		
#4100B	Single Handle Diverter-Valve Set	<input type="checkbox"/> N/A



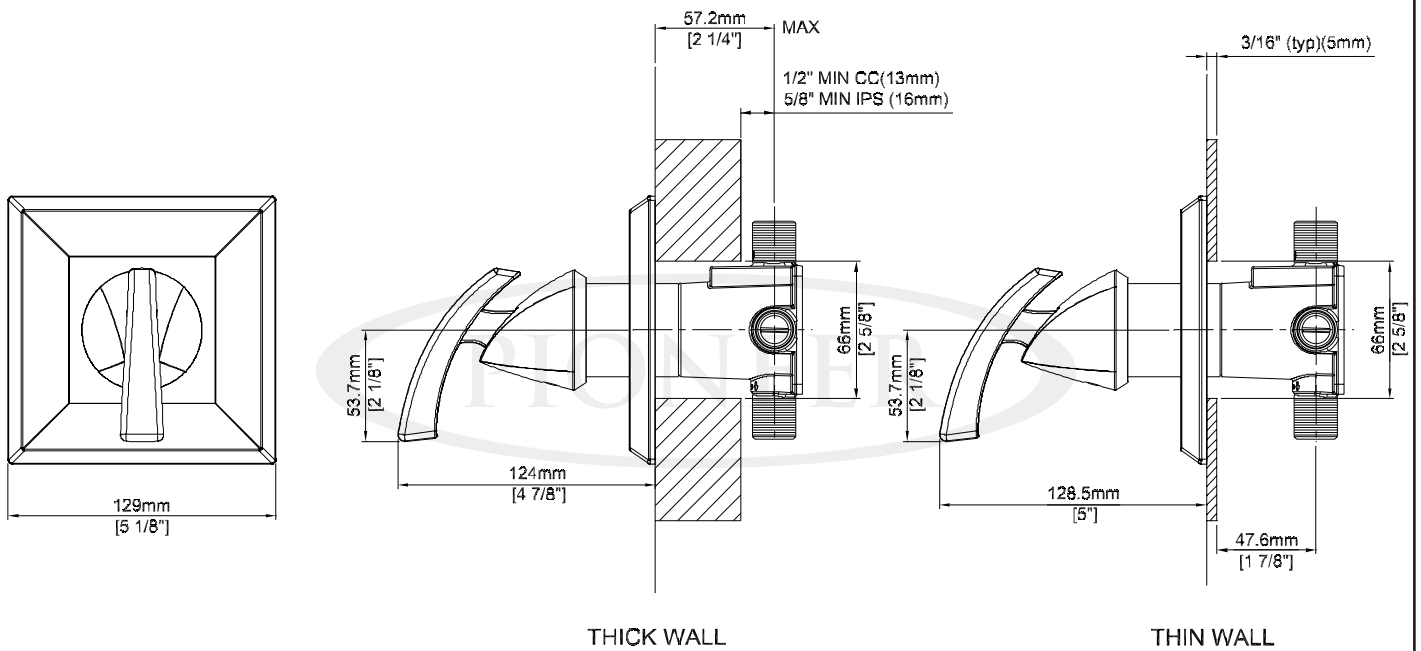
ENGINEERING EXCELLENCE

Pioneer: 1-800-338-9468
 Commerce, CA 90040
 www.pioneerind.com
 Pioneer Industries, Inc. © 2013

DMSP6CS101T/REV. 12 2012
 Page 1 of 2

Installation Note:

Please refer to Installation Guide For this Product.



Product Diagram



ENGINEERING EXCELLENCE

Pioneer: 1-800-338-9468
 Commerce, CA 90040
 www.pioneerind.com
 Pioneer Industries, Inc. © 2013