



# ENGINEERING EXCELLENCE

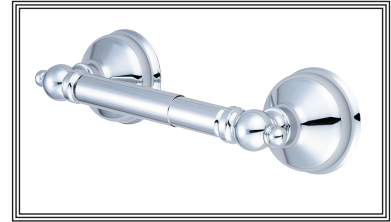
## Americana Series #7AM032 PARTS BREAKDOWN SHEET

### DESCRIPTION

- Toilet Tissue Holder
- Brass Mount
- Concealed Screw Installation
- Mounting Hardware

### FINISHES

- PC PVD Polished Chrome
- BN PVD Brushed Nickel
- SS PVD Stainless Steel
- PN PVD Polished Nickel
- PB PVD Polished Brass
- GR PVD Golden Rose
- ORB Oil Rubbed Bronze
- TB PVD Tuscany Bronze



#7AM032 SHOWN

Model #: \_\_\_\_\_

Specific Features: \_\_\_\_\_

Project Name: \_\_\_\_\_

Submitted For: \_\_\_\_\_

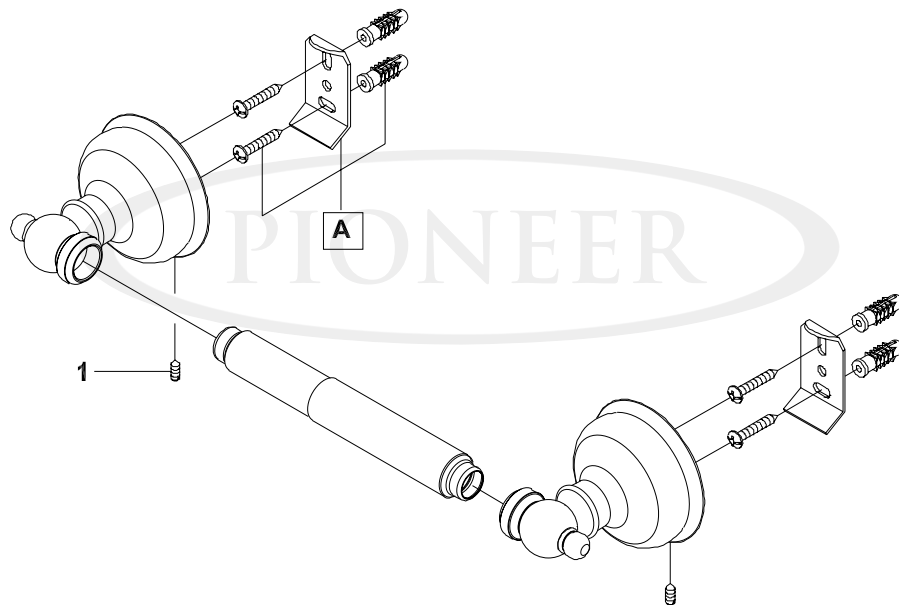
Model	Description	Finishes
#7AM032	Toilet Tissue Holder	<input type="checkbox"/> PC <input type="checkbox"/> Other ____



ENGINEERING EXCELLENCE

Pioneer:1-800-338-9468  
 Commerce, CA 90040  
 www.pioneerind.com  
 Pioneer Industries, Inc. © 2013

	ITEM#	DESCRIPTION
A	X-4700001	Mounting Kit
1	X-5700001	Mounting Screw



Product Diagram



ENGINEERING EXCELLENCE

Pioneer: 1-800-338-9468  
 Commerce, CA 90040  
 www.pioneerind.com  
 Pioneer Industries, Inc. © 2013