



## **Walk-In Air Jet Tub**

**HY-1204**

### *Installation & Operating Instructions*

# Contents

<b>General Instructions</b> .....	<b>2</b>
<b>Safety</b> .....	<b>3</b>
<b>Rough-In Instructions</b> .....	<b>4</b>
<b>HY-1204 Left</b> .....	<b>5</b>
<b>HY-1204 Right</b> .....	<b>6</b>
<b>Installation Instructions</b> .....	<b>7</b>
<b>Operation Instructions</b> .....	<b>8</b>
<b>Care and Maintenance</b> .....	<b>8</b>
<b>Specifications</b> .....	<b>8</b>
<b>Warranty &amp; Registration</b> .....	<b>9</b>

## INSTRUCTIONS

- 1. After receiving the product, check the contents for damage. If you find contents to be damaged or have missing parts, notify your supplier.**
- 2. The tub installation involves heavy work and therefore, two people are required for moving and installation.**
- 3. Any damage or fault arising from self- installation is not covered by warranty.**
- 4. Fill out the warranty registration and return to SanSpa Five Star.**
- 5. This product is for indoor use only.**

# SAFETY

## WARNING:

Persons suffering from heart disease, diabetes, high or low blood pressure, or pregnant, should check with their physician *before* using this tub. Do not use this product if you have consumed alcohol or drugs. When using the tub, basic precautions should always be followed, including but not limited to:

1. Read and follow all instructions
2. To prevent the risk of injury, do not permit children or a handicapped person to use this unit unless accompanied by another person.
3. Use this product only for its intended use as described in this manual; do not use attachments not recommended by the manufacturer.
4. Never drop or insert any object into any opening.
5. **THIS UNIT MUST BE GROUNDED.** The unit must be properly connected to a supply circuit that is protected by a ground fault circuit interrupter (GFCI).
6. Improper installation, adjustments, alterations, service or maintenance, can cause injury or property damage. For assistance or information consult a qualified installer.

## SANSPA DECLINES ANY LIABILITY IF:

1. All electrical and plumbing code requirements are not adhered to.
2. Installation, Safety, and Maintenance instructions in this manual are not followed.
3. Modifications made that are not approved by the manufacture.

Slight changes or differences may exist between the indicated dimensions in the drawings and pictures and the actual dimensions or product. Should an updated or incorrect drawing or picture be used, we will not be held liable.

# **ROUGH-IN**

By Qualified Technician

Follow your local Plumbing and Electrical Codes.

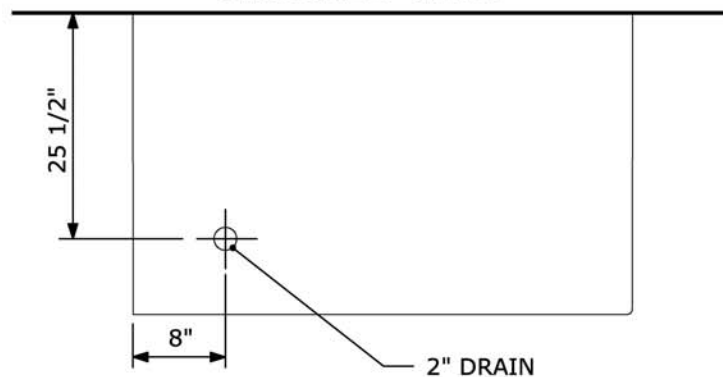
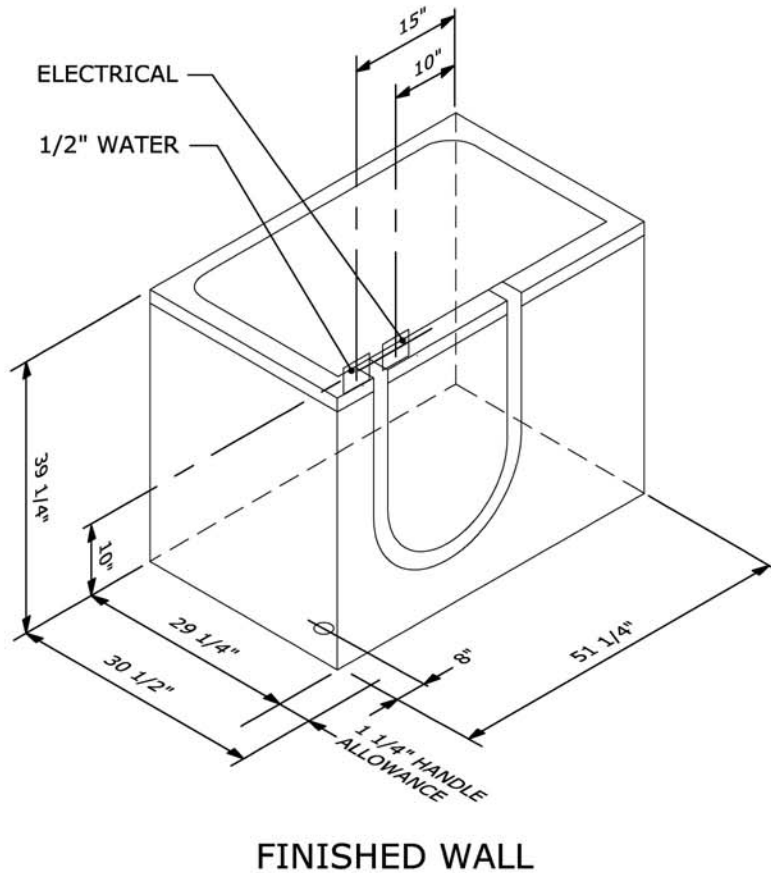
## **PLUMBING**

- 1. Shut off valves must be in an accessible location.**
- 2. Two 5-foot stainless steel flexible hoses for the hot and cold-water hookups. (Provided)**
- 3. 2" drain fitting. (Provided)**

## **ELECTRICAL**

- 1. The NEC requires GFCI breaker protection.**
- 2. 110-volt units use a 20 Amp GFCI circuit breaker. (Not provided)**
- 3. Electrical whip. (Provided)**

# HY-1204 Left Hand Rough-In

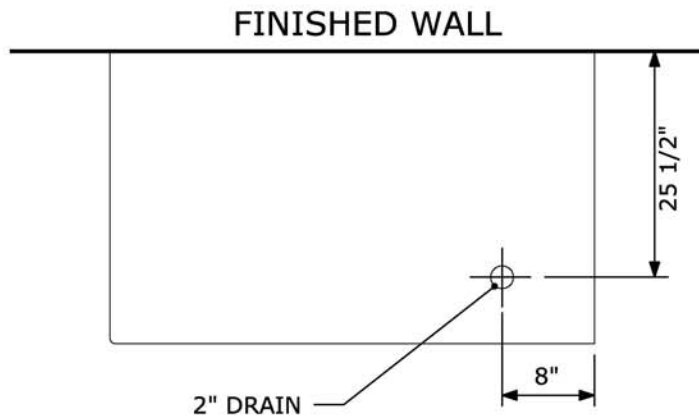
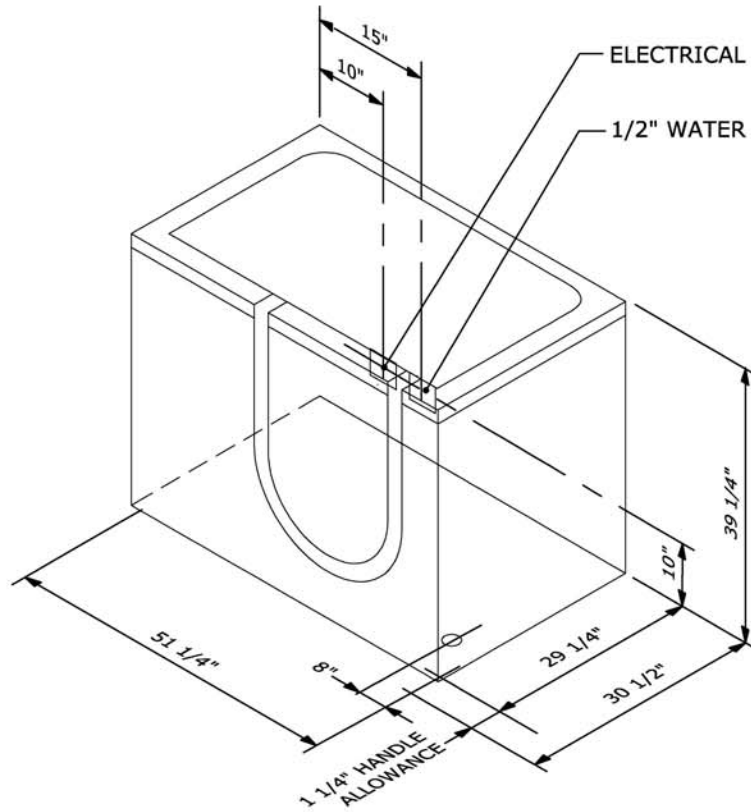


Slight changes or differences may exist between the indicated dimensions in the drawings and pictures and the actual dimensions or product. Should an outdated or incorrect drawing or picture be used, we will not be held liable.



631 N. Valley Drive - LeMars, Iowa 51031 - Ph: 800.450.7544 Fax: 877-450-7544 Tech Support: 866-450-7544  
www.sanspafivestar.com

# HY-1204 Right Hand Rough-In



Slight changes or differences may exist between the indicated dimensions in the drawings and pictures and the actual dimensions or product. Should an outdated or incorrect drawing or picture be used, we will not be held liable.



631 N. Valley Drive - LeMars, Iowa 51031 - Ph: 800.450.7544 Fax: 877-450-7544 Tech Support: 866-450-7544  
www.sanspafivestar.com

# INSTALLATION

**Step 1. Place unit where it is to be installed. Must be level.**

**Step 2. Remove end panels.**

**Step 3. Attach the Assist Bar.**

**Step 4. Attach the knob to the door lever.**

**Step 5. Level the unit for door swing.**

**Step 6. Connect to drain.**

**Step 7. Connect to water.**

**Step 8. Connect to power.**

**Step 9. Attach hand-held shower.**

**Step 10. Turn on water.**

**Step 11. Fill tub with water until above top jet.**

**Step 12. Turn on power.**

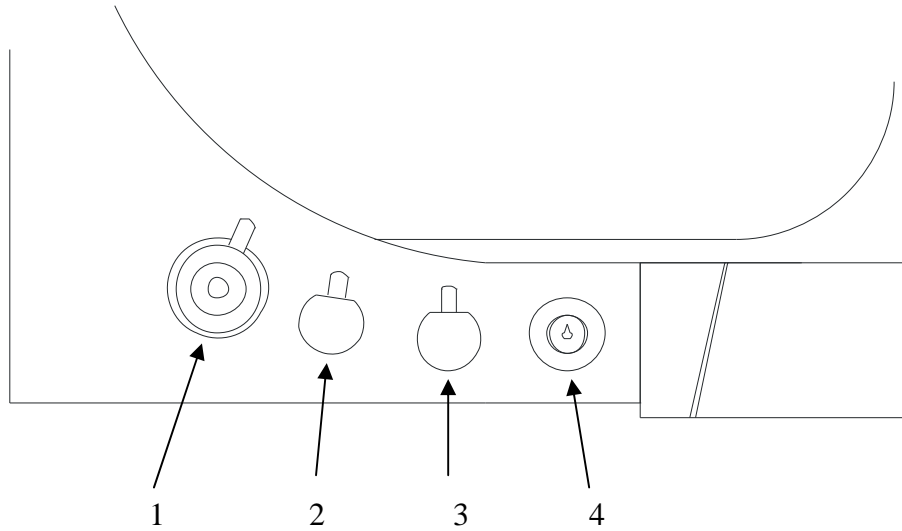
**Step 13. Turn on blower.**

**Step 14. Turn off blower and drain the tub.**

**Step 15. Reinstall panels.**

**Step 16. Register for warranty.**

# OPERATION



1. Temperature Adjustment Lever
2. Hand Held Shower Lever
3. Tub Filler Lever
4. Blower Push Button

**NOTE: Operate blower only when water level is above top jet!**

## CARE & MAINTENANCE

1. Rinse walls and floor with hand shower after each use.
2. DO NOT use abrasive or corrosive cleaners.

## SPECIFICATIONS

Model #	Length	Width	Height	GPM	Drain Size	110v Power	Door Opening	Weight
HY-1204	51-1/4"	29-1/4"	39-1/4"	8.5	1-1/2"	900w	22"	246



# **Limited Warranty**

Models: HY-1204.

## **Coverage**

The *Limited Warranty* covers the tub shell and frame and all the factory installed hardware and components and the blower for 2 years and the air jetting for 1 year, and a lifetime warranty on the door gasket, from the time of original purchase through an authorized dealer by the final buyer and is not transferable. If, during this period, a covered component fails, SanSpa Five Star, LLC will provide a replacement part to the owner through an authorized dealer. Shipping charges and all other costs are not included. SanSpa Five Star, LLC will not pay labor costs involved in diagnostic, removal, repair, service or replacement of the parts. Such costs may be covered by a separate warranty provided by your installer.

## **Limitations**

The *Limited Warranty* does not cover defects, damage, or failure caused by the common carrier, installer, or user, not limited to: modification of any type for any reason, electrical or water connections not specified by the installation and specifications included with the unit, improper installation, unreasonable operation, accident, neglect, lack of proper routine maintenance, or acts of God, including, earthquakes, floods, lightning, etc.

## **Parts**

When warranty parts are required, contact your unit provider. Be prepared to provide proof of purchase.

## **Registration**

Mail the completed warranty form to SanSpa Five Star, LLC in order for this warranty to be effective.

Or enter online at: [www.sanspafivestar.com/warranty/registration](http://www.sanspafivestar.com/warranty/registration)



## **Registration**

Fill out and return to the address below within (30) days from date of purchase for this warranty to be effective.

**Purchasers Name** \_\_\_\_\_

**Purchasers Address** \_\_\_\_\_

**City** \_\_\_\_\_ **State** \_\_\_\_\_ **Zip** \_\_\_\_\_

**Purchasers Phone** (    )       -

**Date of Purchase** \_\_\_\_\_

**Model#** \_\_\_\_\_ **Serial#** \_\_\_\_\_

**Dealers Name** \_\_\_\_\_

**Dealers Address** \_\_\_\_\_

**Dealers Phone** (    )       -

**SanSpa Five Star, LLC · 631 North Valley Drive · Le Mars, IA 51031**  
**Ph. – 800-450-7544 Fax – 877-450-7544 Technical Support – 866-450-7544**