

► **Code Number**

3050400

► **Description**

Exposed Water Closet Flushometer, for floor mounted or wall hung 1½" top spud bowls. Specifically engineered for salt water and severe water conditions.

► **Flush Cycle**

Valve Adjustment Range: 0.5 gpf/1.9 Lpf to 16.0 gpf/60.6 Lpf Factory settings made at 40 psi (275 kPa) — flush volume will vary with pressure and flow rate

3.5 gpf/13.2 lpf

► **Specifications**

Quiet, Exposed, Diaphragm Type, Chrome Plated Closet Flushometer

- Exposed parts Polished Brass
- Vacuum Breaker Flush Connection
- Metal Lever Handle
- 1" I.P.S. Screwdriver Bak-Chek® Angle Stop with Vandal Resistant Stop Cap
- Flushometer does not require water pressure to positively shut off
- Ultra High Copper, Low Zinc Brass Castings for Dezincification Resistance

Valve Body, Cover, Tailpiece and Control Stop shall be in conformance with ASTM Alloy Classification for Red Brass. Valve shall be in compliance to the applicable sections of ASSE 1037 and ANSI/ASME 112.19.2.

- Spud Coupling and Flange for 1 1/2" Top Spud

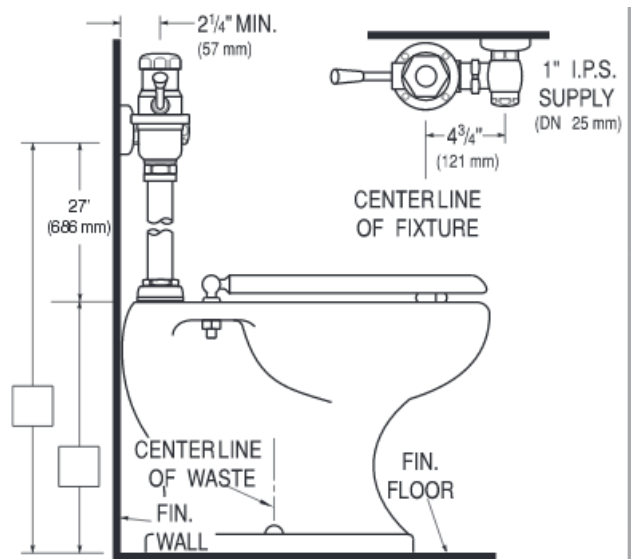
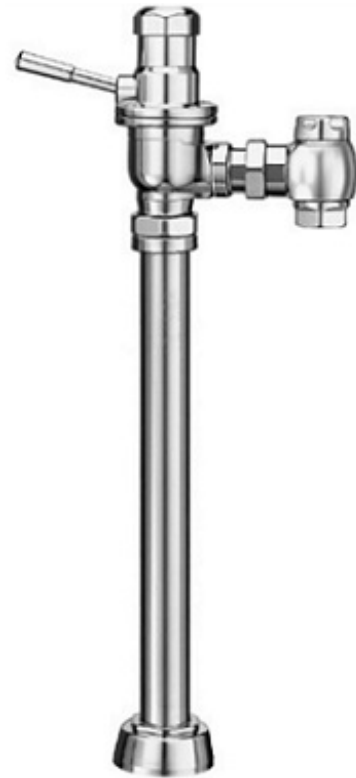
► **Accessories (Sold Separately)**

See Accessories Section of the Sloan catalog for available accessories

► **Product Number**

116-1.6

116



► **Compliance & Certifications**



**Made In The
USA**

This space for Architect/Engineer Approval