

► **Code Number**

3140300

► **Description**

Exposed Water Closet Flushometer for floor mounted or wall hung top spud bowls.

► **Flush Cycle**

3.5 gpf/13.2 lpf

► **Specifications**

Quiet, Exposed, Adjustable Piston Type, Chrome Plated Closet Flushometer with the following features:

- Trap Primer
- ADA Compliant Metal Oscillating Non-Hold-Open Handle
- Self-cleaning Xpelor® Bypass
- Stamped Wall Flange
- Ultra High Copper, Low Zinc Brass Castings for Dezincification and Salt Water Resistance
- Handle Packing, Stop Seat and Vacuum Breaker to be Molded from PERMEX® Rubber Compound for Chloramine Resistance
- Vacuum Breaker Flush Connection (Flush Tube can be cut to meet installation requirements)
- 1" I.P.S. Screwdriver Bak-Chek® Angle Stop with Vandal Resistant Stop Cap
- Spud Coupling and Flange for 1 1/2" Top Spud

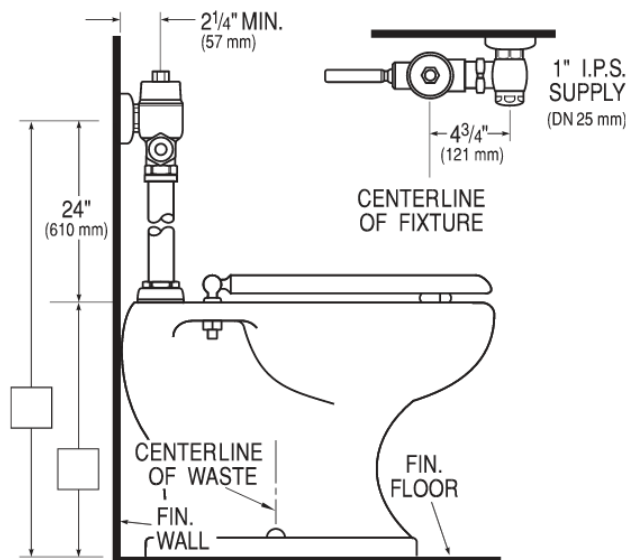
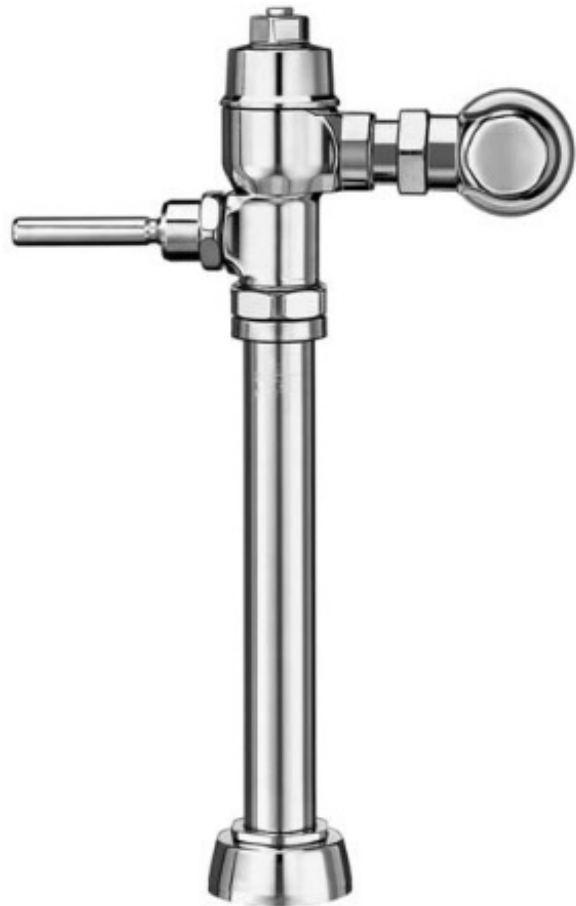
Valve Body, Cover, Tailpiece and Control Stop shall be in conformance with ASTM Alloy Classification for Red Brass. Valve shall be in compliance to the applicable sections of ASSE 1037 and ANSI/ASME 112.19.2.

► **Variations**

- YI Two Wall Bumpers (for open front seat without cover)
- Offset Vacuum Breaker, Specify: 1" - 1 1/2" - 2"
- Less Vacuum Breaker
- Sweat Solder Adapter Kit
- Sweat Solder Adapter & Cast Wall Flange with Set Screw
- Ground Joint Stop and Tailpiece
- 1 1/4" Flush Connection and Spud Coupling
- NOTE: Bak-Chek® Angle Stop available with 1" Whitworth Thread (please specify).

► **Accessories (Sold Separately)**

See Accessories Section of the Sloan catalog for available accessories



► **Compliance & Certifications**



This space for Architect/Engineer Approval