

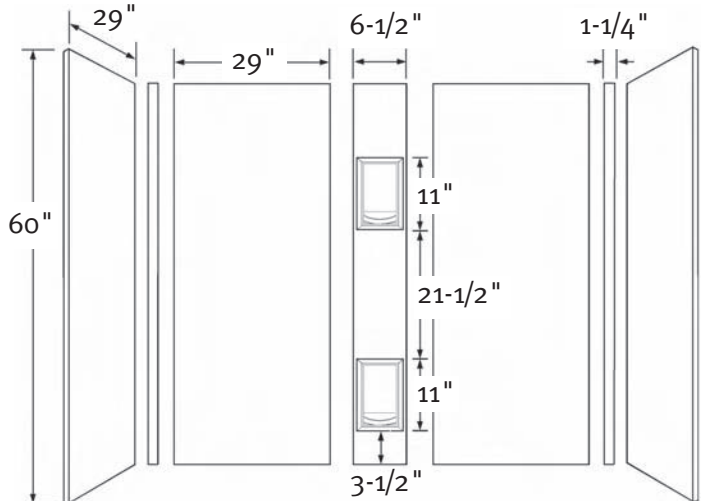
WARRANTY

 Limited Lifetime – Residential
 Limited 25-year – Commercial

Manufactured from Swanstone solid surface
 (see page 2 for detailed information)

Recommended for high use traffic areas and commercial surfaces
FEATURES

- Stunning look adds elegance to your bath
- A variety of colors to choose from to customize a bath
- Will not mold or mildew, no grout to clean
- Ideal for both remodeling projects and new construction
- Heat resistant—walls can handle steamer units
- Reinforced solid surface means color and texture run all the way through and cannot wear away
- Middle back panel features two soap shelves
- Comes as a complete glue-up kit with three back panels, two side panels, two corner molding strips and installation materials
- Optional TK-6072 trim kit available


SS-60-5

Designed to fit tub area 30" deep x 60" wide (762 mm x 1524 mm), or smaller

SPECIFICATIONS
SS-60-5 Bathtub 5-Panel Wall Kit

| Model | Part | Tub Area Designed To Fit | Ship Wt. Lb. | Ship FedEx | Carton Dims. In. | Cu. Ft. |
|---------|---------|---|--------------|------------|------------------|---------|
| SS-60-5 | SS00605 | 30" D x 60" W (762 mm x 1524 mm) (or smaller) | 121 | – | 65 x 31 x 6 | 7 |

Kit Includes: One back panel with two molded-in soap and shampoo shelves, four flat wall panels, two corner moldings, and complete installation instructions. Installation materials included.

Packaging: Each kit is packed in a flat, rectangular carton.

See pages 88-89 for complete listing of all wall accessories.

STANDARDS AND RATINGS

Class 1A fire rating

National Sanitation Foundation-NSF Splash Zone, -NSF Food Zone

American Society for Testing and Materials

National Electrical Manufacturers Association

For a complete list of tests and results see the Technical Data Sheet – page 135.

SUPPORT DOCUMENTS

 Installation instructions available on line at www.swanstone.com
 **MADE IN USA.**
COLORS

(See inside back cover for color sample.)

- White (010)
- Bone (037)
- Bisque (018)
- Almond Galaxy (046)
- Arctic Granite (035)
- Barley (091)
- Bermuda Sand (040)
- Gray Granite (042)
- Green Pasture (095)
- Sierra (094)
- Tahiti Blue (056)
- Tahiti Desert (050)
- Tahiti Evergreen (057)
- Tahiti Gray (053)
- Tahiti Ivory (059)
- Tahiti Matrix (058)
- Tahiti Rose (052)
- Tahiti Sand (051)
- Tahiti Terra (055)
- Tahiti White (011)
- Cornflower (063)
- Ironweed (061)
- Night Sky (012)
- Purple Sage (064)
- Wild Indigo (022)
- Winter Wheat (060)
- Indian Grass (071)
- Pebble (072)
- Seafoam (074)
- Glacier (121)
- Prairie (122)
- Acorn (123)
- Canyon (124)
- Cloud White (125)
- Cloud Bone (126)
- Baby's Breath (168)
- Caraway Seed (169)

MAINTENANCE AND CLEANING INFORMATION

 Clean regularly with warm water and normal household cleansers such as Fantastic, Formula 409, Clorox Clean-up, Mr. Clean, Dow Scrubbing Bubbles, etc. and rinse within five minutes of application. Occasional scrubbing with household abrasive cleaners such as Comet or Ajax ensures that the original luster is maintained. **Do not** use "leave on" cleaning products such as the Automatic Shower Cleaner. Prolonged contact with harsh chemicals could have an adverse reactive over time and discolor your surfaces.

Do not use cleaning agents that caution use on acrylic, polyester or plastics.