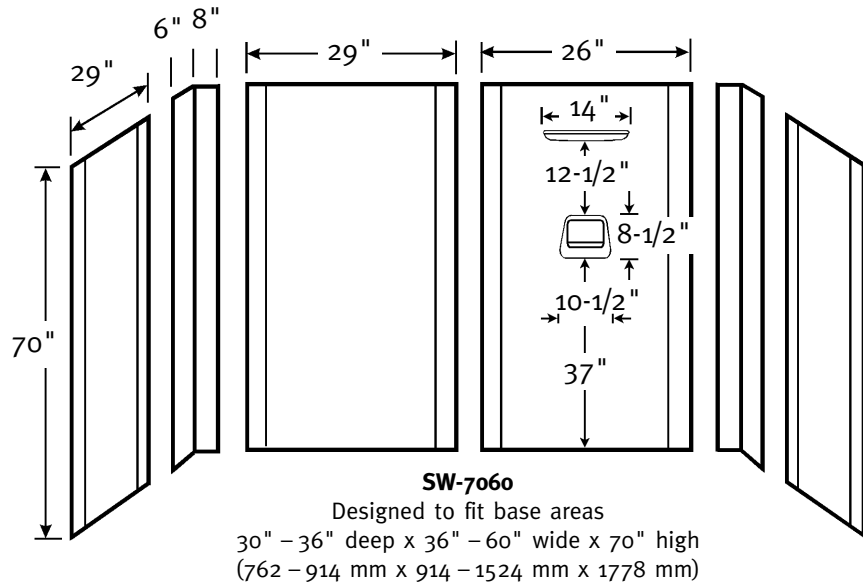


Manufactured from Swan High-Gloss
(see page 2 for detailed information)

WARRANTY
Limited Lifetime – Residential
Limited 5-year – Commercial

FEATURES

- Ultra-bright, glossy surface comes from durable, baked-on finish
- Includes all materials needed for installation
- The SW-7060 is a glue-up 6-piece shower wall panel system
- Compression molded



SPECIFICATIONS

SW-7060 High-Gloss Shower Wall Kit

Model	Part	Base Area Designed To Fit	Ship Wt. Lb.	Ship UPS	Carton Dims. In.	Cu. Ft.
SW-7060	SW07060	30" – 36" D x 36" – 60" W x 70" H (762 mm – 914 mm x 914 mm – 1524 mm x 1778 mm)	68	–	74 x 30 x 7	9.0

Kit Includes: One back panel with molded-in soap dish and shampoo shelf, two right angle corner panels, two flat side panels, one flat extension panel, installation materials and complete installation instructions.

Packaging: Each kit is packed in a flat, rectangular carton.

ACCESSORIES

See page 57 for complete listing of all shower wall accessories.

STANDARDS AND RATINGS

Class B fire rating

American Society for Testing and Materials

National Electrical Manufacturers Association

SUPPORT DOCUMENTS

Installation instructions available on line at www.swanstone.com

 **MADE IN USA.**

COLORS

(See inside back cover for color sample.)

- White (010)
- Bone (037)
- Bisque (018)

MAINTENANCE AND CLEANING INFORMATION

Wash regularly with non-abrasive, liquid cleaners, a sponge, soft cloth or Mr. Clean Magic Eraser. **Do not** use abrasive cleaners or pads. **Do not** use “leave on” cleaning products such as the Automatic Shower Cleaner. Prolonged contact with harsh chemicals could have an adverse reactive over time and discolor your surfaces.