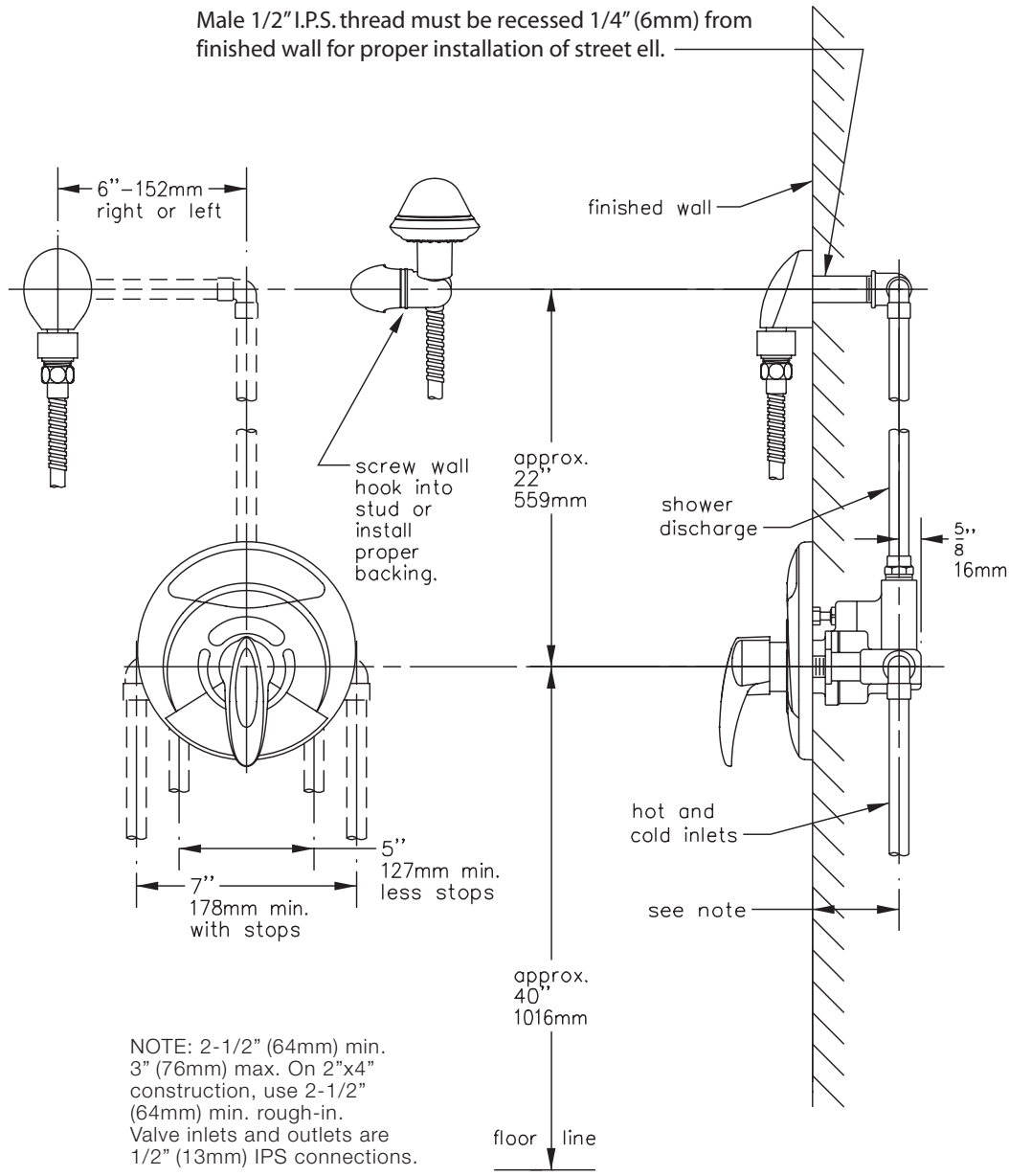


# 1-250VT-H401-V

**Visu-Temp®** Pressure-Balancing mixing valve with Clear-Vue™ thermometer and adjustable stop screw to limit handle turn. Euro-Flo single mode wall/hand shower with flexible 5' metal hose, in-line vacuum breaker, wall connection and flange. Cradle for hand shower mounting. Polished chrome finish.

**Suffix X:** Integral service stops—allows water shut-off at valve for service



This drawing to be used for rough-in installation only. All floor to center dimensions optional. Concealed piping and fittings not furnished by manufacturer. **Dimensions are for ADA compliance (Americans with Disabilities Act)** consult ADAAG or your state regulations for proper product choice and mounting locations. For complete installation, adjustment and service information see installation instructions.

Symmons Industries, Inc. ■ 31 Brooks Drive ■ Braintree, MA 02184  
 (800) 796-6667, (781) 848-2250 ■ Fax (800) 961-9621, (781) 843-3849  
 Website: [www.symmons.com](http://www.symmons.com) ■ Email: [customerservice@symmons.com](mailto:customerservice@symmons.com)

