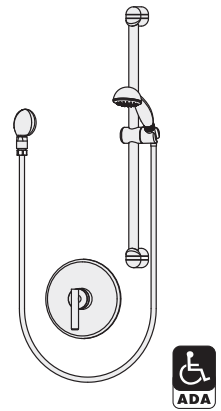


Location:



Hand Shower System 3503-H321-V-CYL Specification Submittal



Feature Highlights

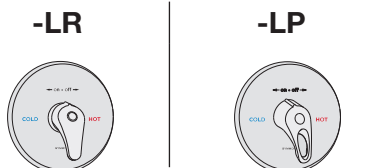
- Symmons Hand Shower System with cylinder (CYL) style lever handle
- Symmons Temptrol® pressure-balancing mixing valve with adjustable stop screw to limit handle turn
- Wall/hand shower, two modes, #532HS with 5 foot flexible metal hose, in-line vacuum breaker, wall connection and cradle for hand shower mounting
- 30 inch slide bar for mounting hand shower
- Standard flow rate is 2.5 gpm (9.5 L/min)
Optional lower flow rate restrictor available
- Polished chrome finish (standard)

Model Numbers

- 3503-H321-V-CYL
Hand Shower system with Symmons Temptrol® mixing valve p/n 4000-BODY
- 3503-H321-V-CYL-TRM
Trim only, valve must be ordered separately
- 4000-BODY
Symmons Temptrol® mixing valve without trim
- 4000-X-BODY
Symmons Temptrol® mixing valve without trim. Valve includes integral service stops to allow water shut-off for service

Handle Options / Modifications

Append appropriate -suffix to model number



- LR Lever handle
- LP Loop style lever handle

Options / Modifications

Append appropriate -suffix to model number

- IPS IPS connections: 1/2 inch female IPS connections on Temptrol® mixing valve
- X Service Stops: Temptrol® mixing valve includes integral service stops to allow water shut-off for service, p/n 4000-X-BODY (Option applies when ordering model 3503-H321-V-CYL)
- CHKS Check Stops: Temptrol® mixing valve includes integral check stops
Note: Requires integral service stop option (-X) *Used in installations where a positive shut-off device is used downstream of mixing valve*
- REV Reverse core: Temptrol® mixing valve with reverse core. *Used in back-to-back system installations. HOT on the right, COLD on the left*
- ETCH Escutcheon with black & white lettering
- B Metal escutcheon
- 2.0 Flow rate restrictor, 2.0 gpm (7.6 L/min)
- 1.5 Flow rate restrictor, 1.5 gpm (5.7 L/min)
- L/HS Hand Shower wand not included, Includes hose, in-line vacuum breaker, wall connections and flange only
- R Vinyl hose in place of flexible metal hose
- 6 6 foot hose in place of 5 foot hose
- QD Quick-disconnect on hand shower
- B48 48 inch slide bar in place of standard 30 inch

Finish Options / Modifications

Append appropriate -suffix to model number

- Polished chrome (standard finish)

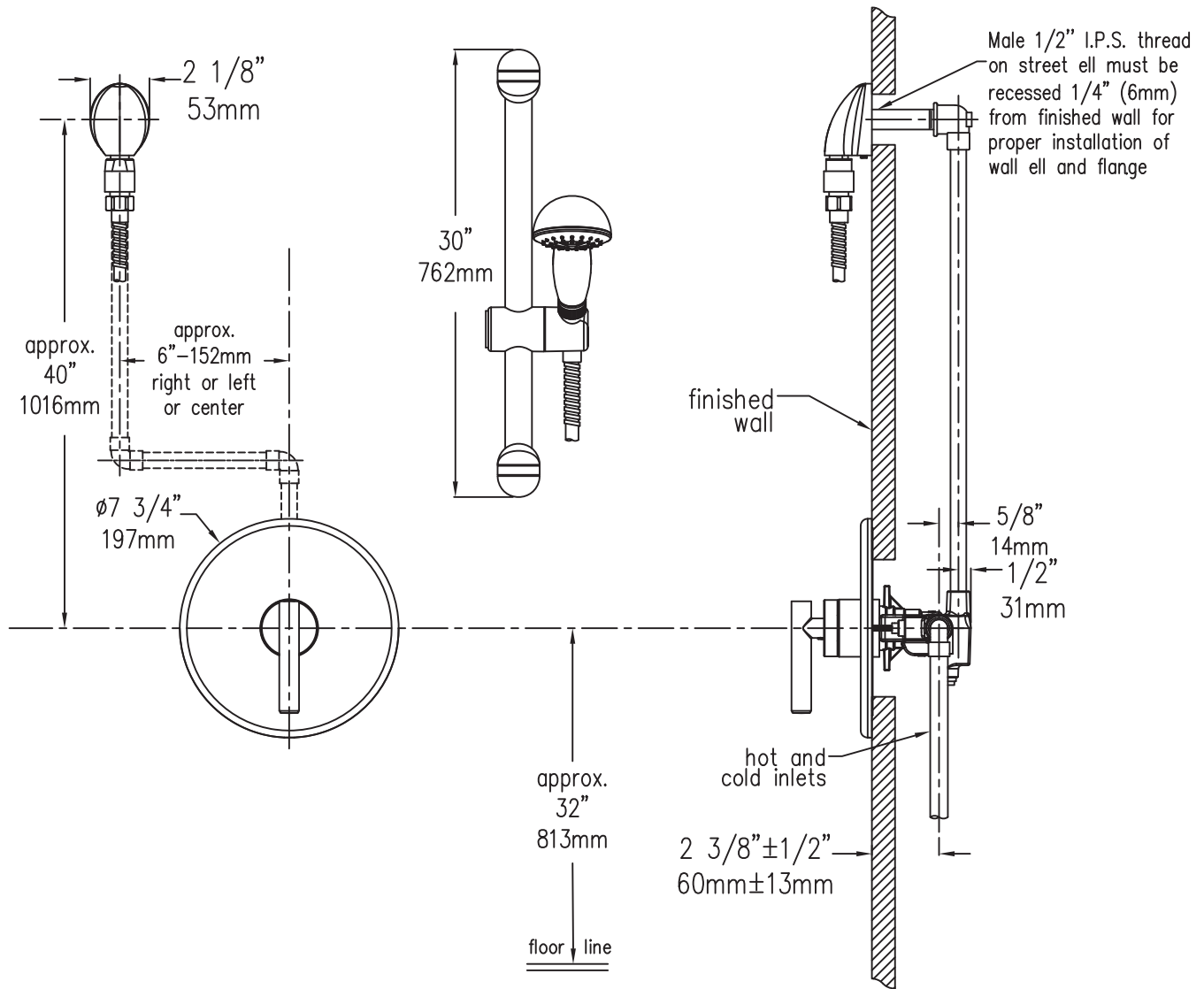
Standards / Certifications

ASME A112.18.1-2005/CSA B125.1-05

Warranty

- 5 years - for commercial installations

Dimensions *Hand Shower System, 3503-H321-V-CYL*



Note: Dimensions subject to change without notice