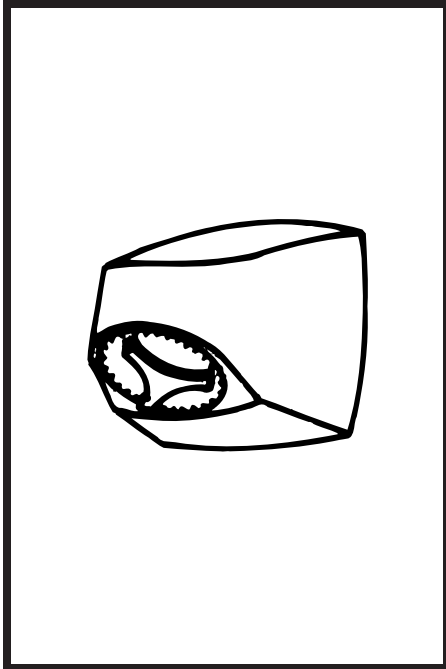


# 4-150 Symmons Senior Institutional Shower Head

**Symmons** Senior Institutional shower head with mounting bracket, fasteners and 30° spray angle. Flow rate is 2.5 GPM (9.5 L/min).

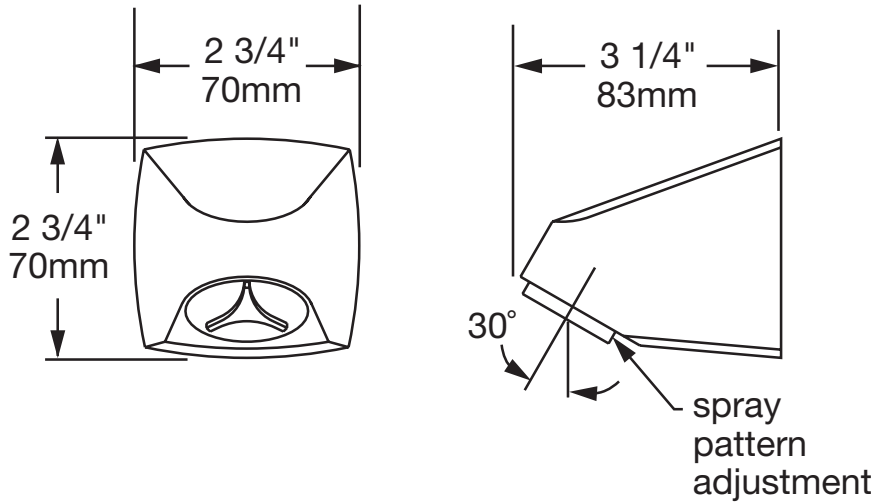
**Modifications:**

- Suffix A:** Anchor plate for use with ceramic tile
- Suffix B:** Back plate and bolts for extra thick wall
- Suffix 15:** 15° spray angle
- Suffix 1.5:** 1.5 gpm (5.7 L/min) flow rate restrictor
- Suffix 2.0:** 2.0 gpm (7.6 L/min) flow rate restrictor



**Standards / Certifications**

ASME A112.18.1-2005/CSA B125.1-05



**Job/Location**

.....  
 .....

**Engineer**

.....  
 .....

**Contractor**

.....  
 .....

For ADA compliance (Americans with Disabilities Act) consult ADAAG or your state regulations for proper product choice and mounting locations.

Symmons Industries, Inc. ■ 31 Brooks Drive ■ Braintree, MA 02184  
 (800) 796-6667, (781) 848-2250 ■ Fax (800) 961-9621, (781) 843-3849  
 Website: [www.symmons.com](http://www.symmons.com) ■ Email: [customerservice@symmons.com](mailto:customerservice@symmons.com)

